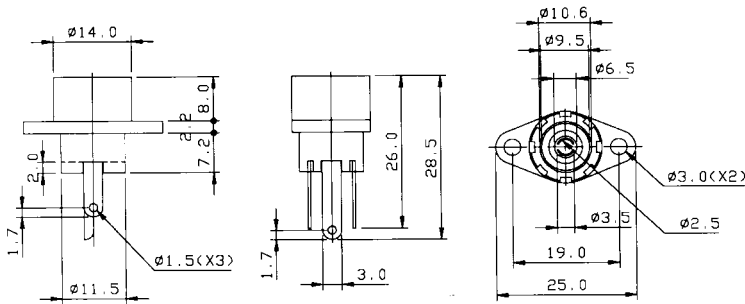
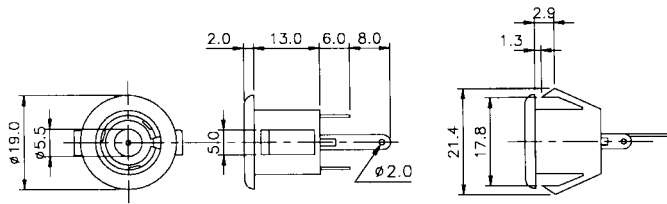


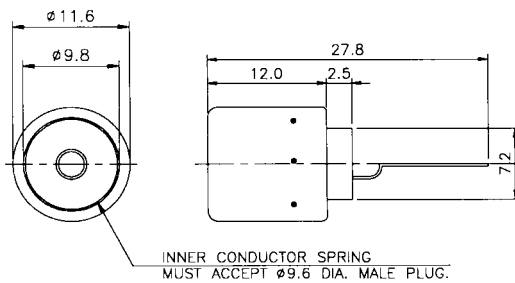
IEC Jacks: Straight, Panel Mount, Solder and Moldable



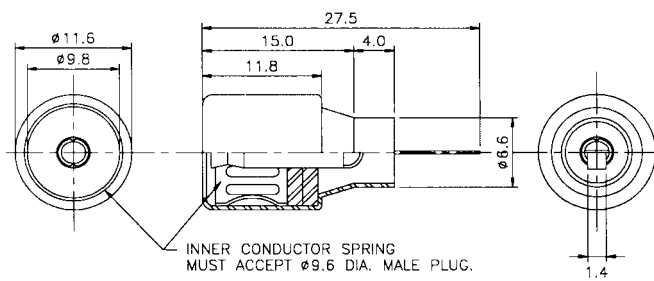
GTP-124B
SCREW MOUNTED IEC JACK



GTP-124H
SNAP IN IEC JACK



GTP-124J-6A
SOLDER IEC JACK



GTP-124J-01
MOLDABLE IEC JACK