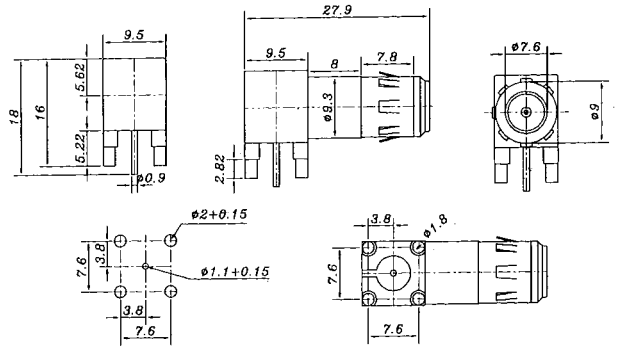


## F-Type: Straight, Right angle, Printed Circuit Board Type



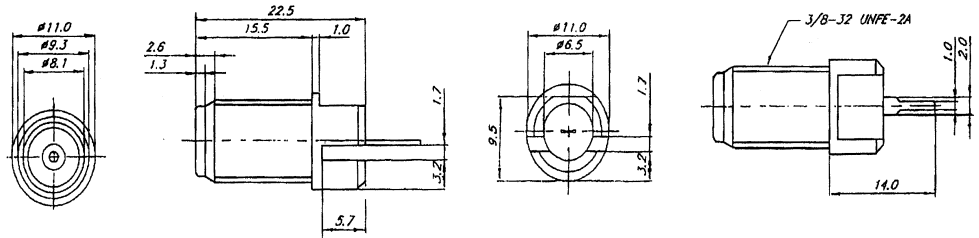
**CTP-FG233**  
PUSH ON F-TYPE



\*OPTIONAL LENGTHS 33MM - CTP-FG234



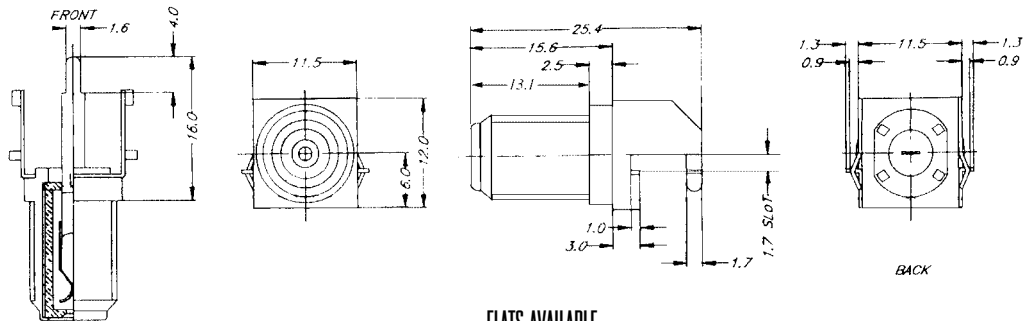
**CTP-169-F (1GHZ)**  
RIGHT ANGLE PCB MOUNT JACK



\*AVAILABLE WITH 1,75MM SLOT CTP-169D-175



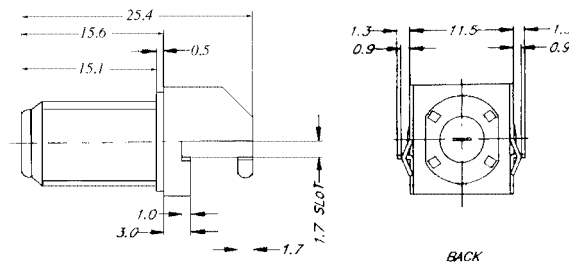
**CTP-171-F (1GHZ)**  
RIGHT ANGLE PCB MOUNT JACK



FLATS AVAILABLE



**CTP-171-F-1X (2GHZ)**  
RIGHT ANGLE PCB MOUNT JACK



CTP-171-F-Y-NT HAS TWO FLATS