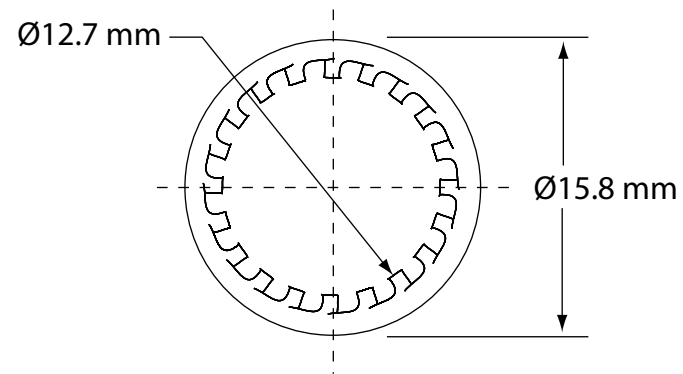


# W-002

LOCK WASHER



Thickness: 0.5 mm

Material: Steel with Nickel Plating