

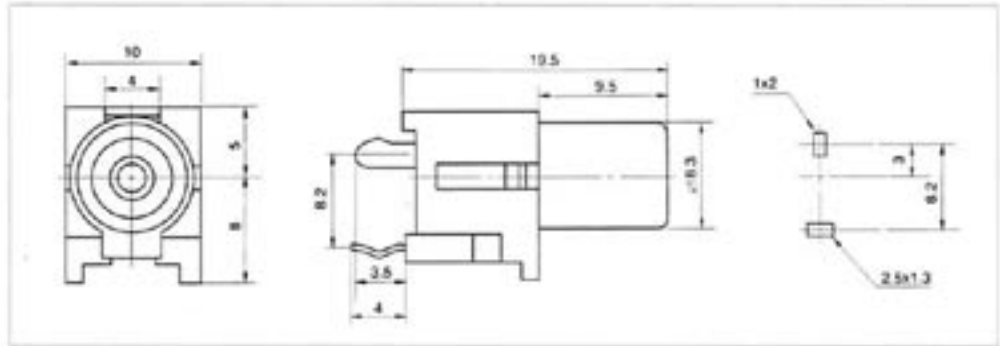
Phono(RCA)Jacks

Main Specifications

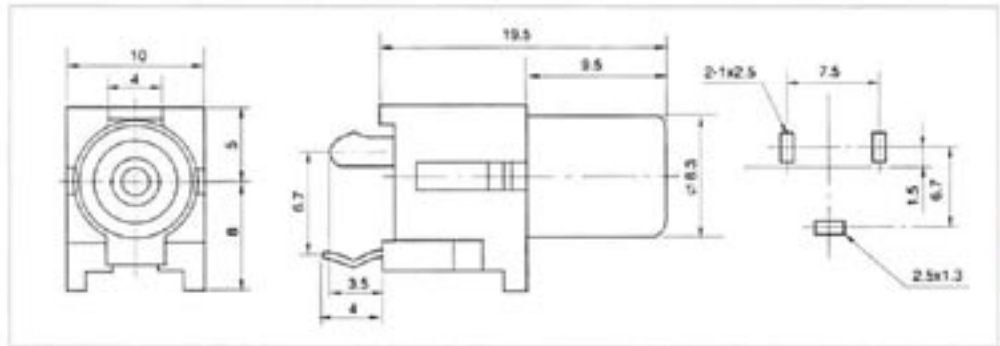
Environmental Conditions		Rated Current Capacity	Contact Resistance	Insulation Resistance	Withstand Voltage	Life	Separate Force
Temperature	Relative Humidity						
-25 ~ +70°C	93% +40°C	AC 50V 0.3A DC 50V 0.3A	≤0.02Ω	≥100M Ω DC250V	AC500V	5000CYCLES	15-30N



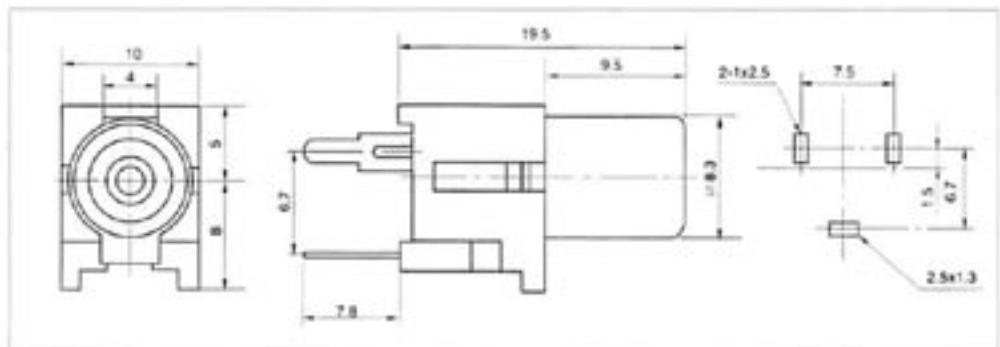
CTP1-101



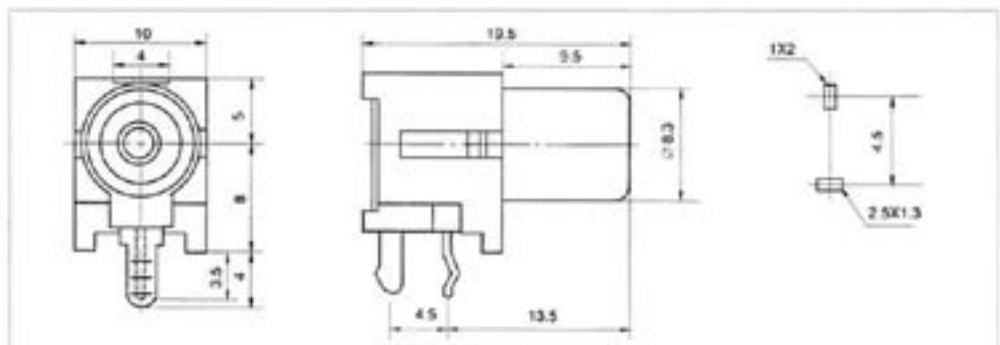
CTP1-101P



CTP1-102P



CTP1-103



1