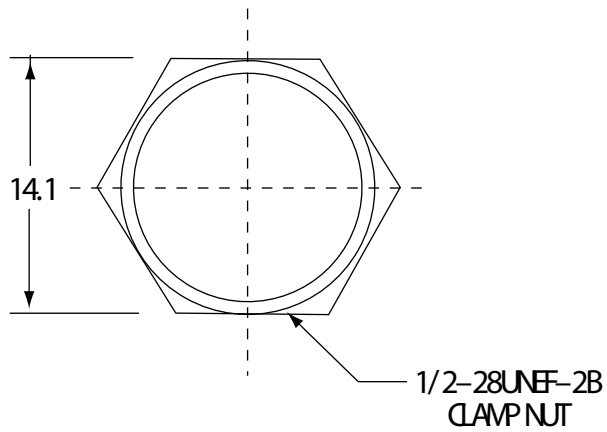


N-002



Thickness: 2.5mm