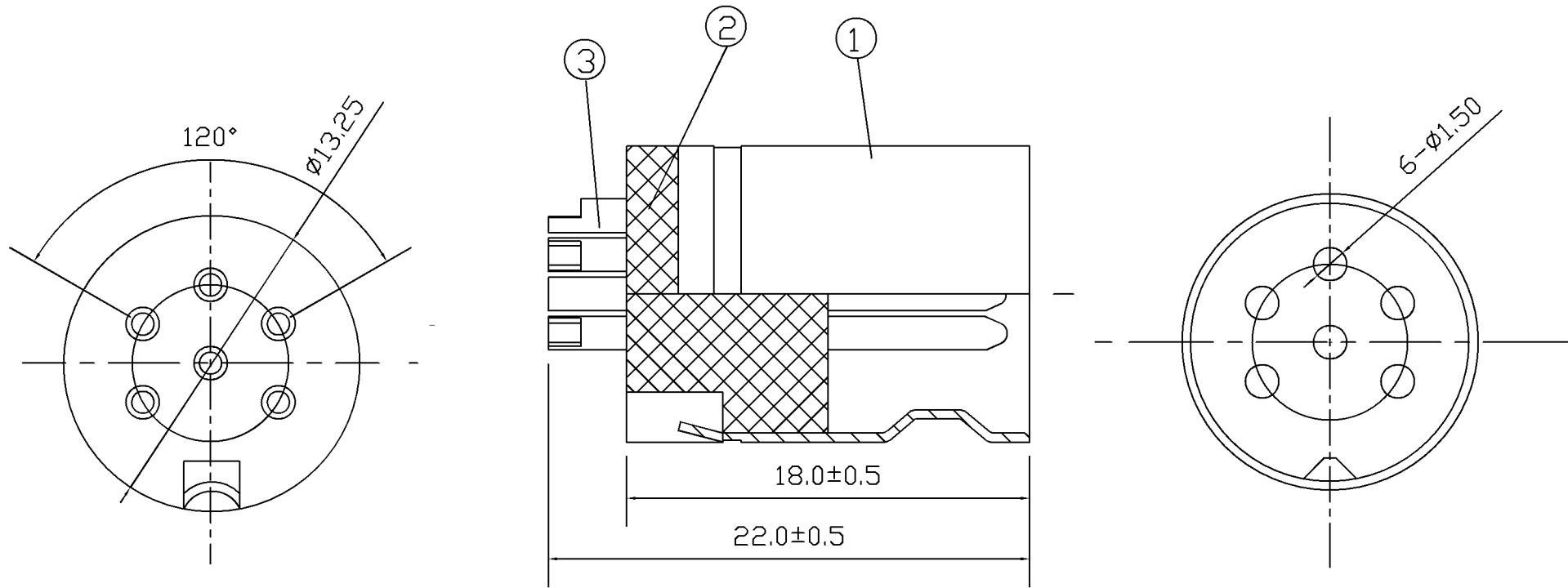


SYMBOL	REVISION	APPROVAL	DATE
New Drawing	A	SW.Wu	2009.7.24



RoHS COMPLIANT
EU Directive 2002/95/EC

10	Shield	Brass	Nickel Plated	1
9	Insulator	PBT+15%GF,UL 94 V-0	Black	1
1-8	Pin	Brass	Tin Plated	3-8
ITEM	NAME	MATERIAL	FINISH	SUM

Connect-Tech Products Corp.

TOLERANCES

X. ± 0.5
X.X ± 0.3
X.XX ± 0.15

ANGLE: $\pm 3^\circ$

UNIT MM

REVISION: A

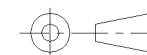
6 POSITION DIN PLUG

DIN-6P

SCALE: Full

DATE:

2010-7-24



DRAW

CHECK

APPROVE

JC.Liu

SD.Wu

SW.Wu

Design:
