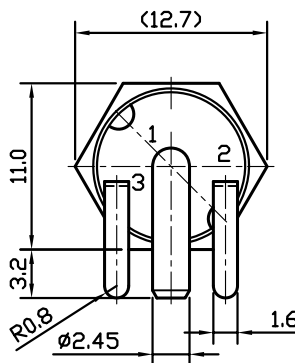
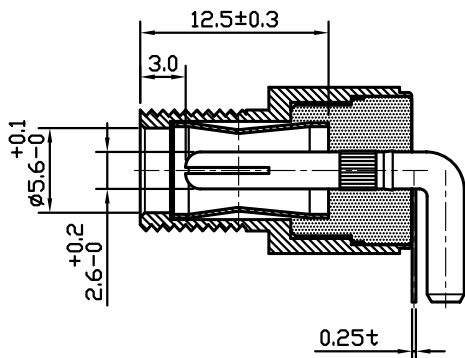
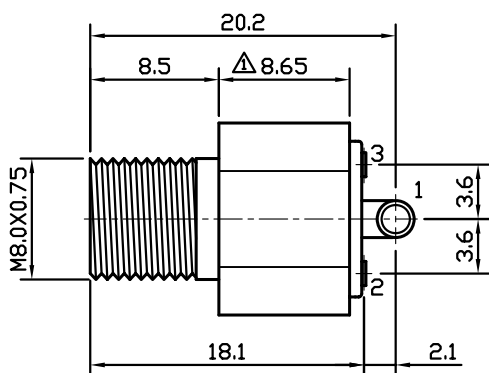


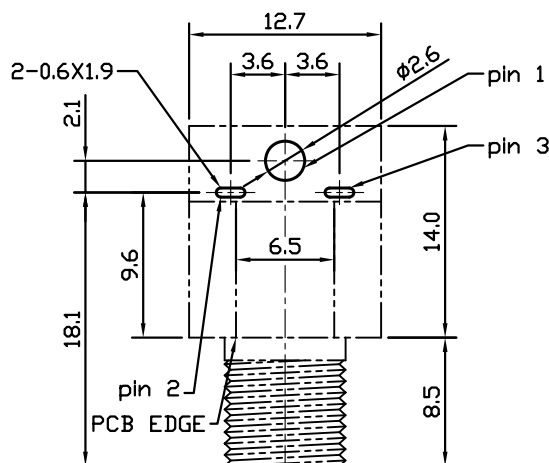
DCP-2625-JL31-R



REAR VIEW



BOTTOM VIEW



TOP VIEW

PCB LAYOUT

Pb: less than 40000ppm

Cd: less than 100ppm

1. Dielectric strength: AC 500V/1 minute.
2. Insulation resistance: 100MΩ or over. (DC 500V)
3. Contact resistance: 30mΩ or less.
4. Extraction force: 0.3~3Kg.

6	119-135	NUT	BRASS	NI	1
5	179-008	WASHER	SWRH62	NI	1
4	190-089	DIELECTRIC	PBT		1
3	170-236	Terminal	Phosphor Bronze	AG	1
2	119-132	SLEEVE	BRASS	NI	1
1	172-014	PIN	Phosphor Bronze	AG	1
ITEM	DRAWING NUMBER	PART NAME	MATERIAL	PLATED	Q'TY
UNIT	MM	SCALE : 2/1			

DIMENSIONS RANGE	TOLERANCE UNLESS SPECIFIED
0.5<X<1	±0.1
1<X<6	±0.15
6<X<18	±0.2
18<X<50	±0.3



Phone 1-800-809-2751

Fax 1-510-440-0579

www.connect-tech-products.com • info@connect-tech-products.com

4428 Technology Drive • Fremont, CA 94538, USA • 510-498-8815 • Fax: 510-440-0579