

MATERIALS

1. INSULATOR : TEFLON
2. BODY : BRASS, NICKEL PLATED
3. CONTACT : BRASS, GOLD PLATED
4. BODY : BRASS, NICKEL PLATED
5. INSULATOR : TEFLON
6. INSULATOR : PA66, BLUE

PART NUMBER

CTP-54CA - 1 N - 2 C 1 - 0 1 3

SERIES

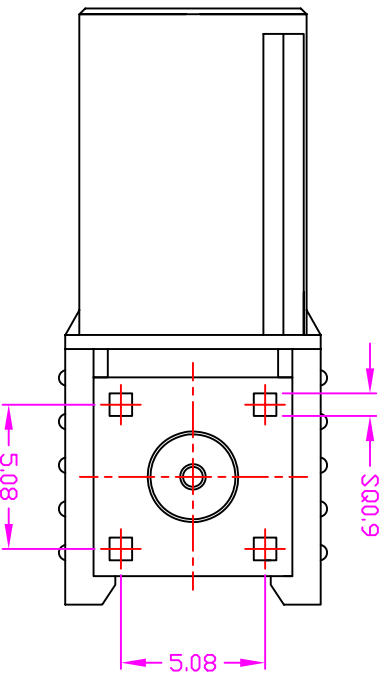
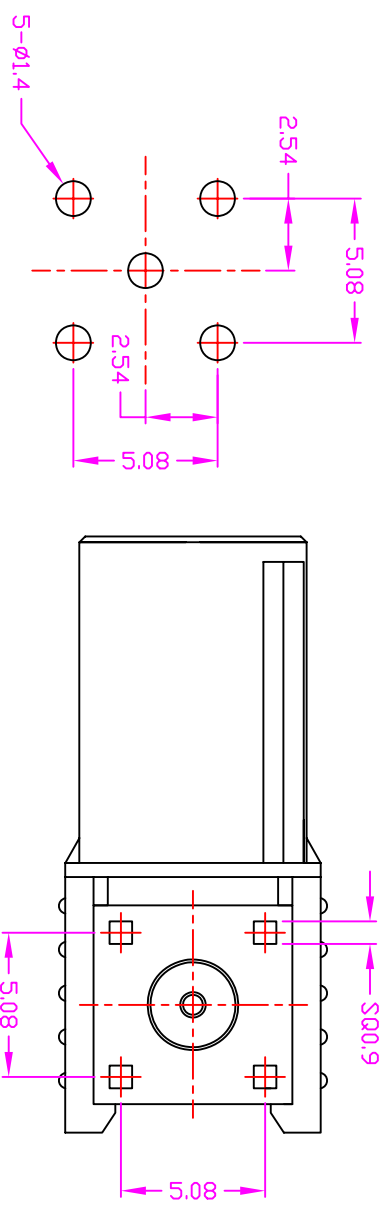
GOLD FLASH ON CONTACT

NICKEL PLATED ON BODY

MALE

PCB MOUNT

C CODE FOR GPS



Connect-Tech Products Corp.
 TEL: +1 510 4400578 www.Connect-Tech-Products.com

TOLERANCES

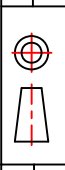
XX ±0.3
 X.XX ±0.2
 X.XXX ±0.1
 Angle ±5°

FAKRA SERIES
 MALE, RIGHT ANGLE, PCB MOUNT

TITLE
 DRAWN BY
 CHECKED BY
 APPROVED BY

UNIT
 SCALE
 SIZE
 DRAW NO.
 REV.

REV.	DATE	RELEASE	DESCRIPTION
A	0305.2013		



MM NONE A4 D054-CA013 A