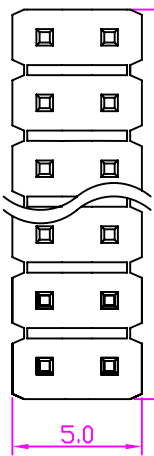
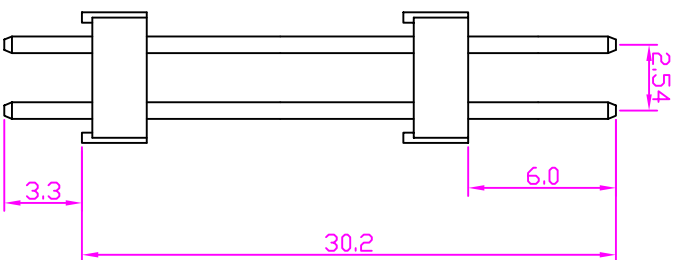
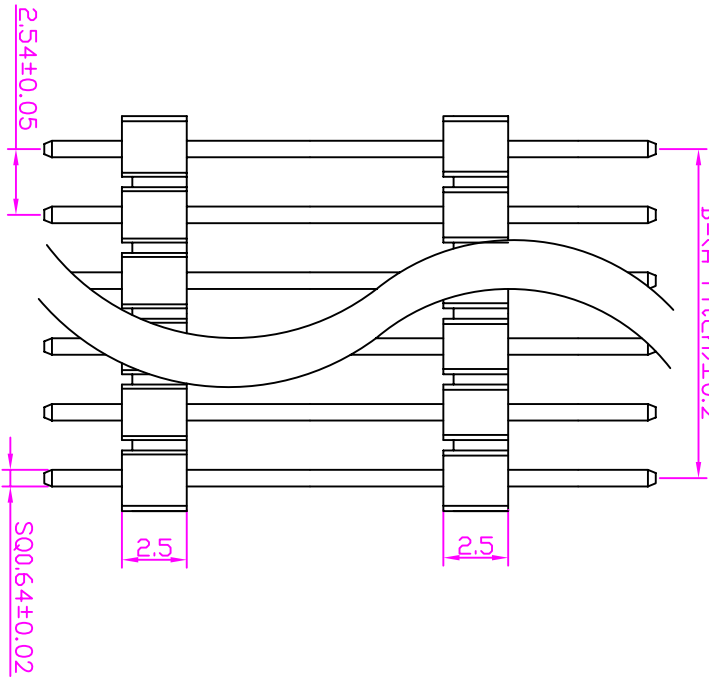


A=(Pitch)xNo. of contact)±0.25



B=(A-Pitch)±0.2

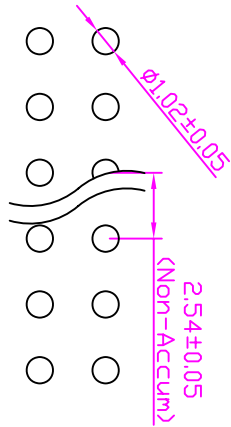
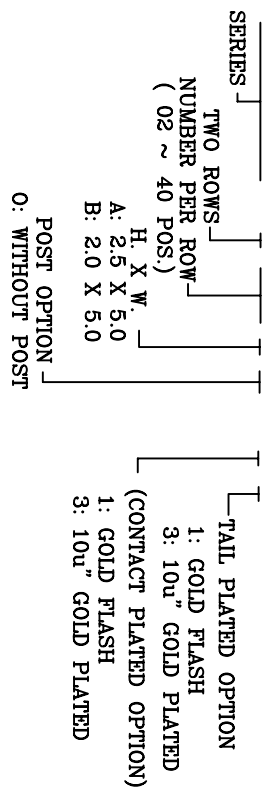


**NOTES: UNLESS OTHERWISE SPECIFIED**

1. MATERIAL:  
INSULATOR: PBT OR NYLON-6T  
CONTACT: BRASS
2. CHARACTERISTICS:  
CURRENT RATING : 3.0A @80°C AMBIENT  
VOLTAGE RATING : 250V AC,DC
3. OPERATING TEMP RANGE :  
-40°C ~ +105°C WITH GOLD
4. CONTACT RESISTANCE:  
INITIAL: 20m OHM MAX.  
AFTER ENVIRONMENTAL TEST: 40m OHM MAX.
5. INSULATION RESISTANCE:  
INITIAL: 1000M OHM MIN.  
AFTER HUMIDITY AND THERMAL SHOCK TEST: 500M OHM MIN.
6. DIELECTRIC WITHSTANDING VOLTAGE: 1000V AC/MIN
7. MECHANICAL PERFORMANCE:  
REACTION FORCE: 800 GRAMS AVERAGE.
8. MAX PROCESSING TEMP:  
PBT: 200°C FOR 20 SECONDS  
NY-6T: 260°C FOR 10 SECONDS

**PART NUMBER**

CTP- 01AE - 2 X X A 0 - 1 1 - 0 1 6



**P.C.B LAYOUT**

<b>Connect-Tech Products Corp.</b> TEL:+1 510 4400578 www.Connect-Tech-Products.com		<b>PIN HEADER SERIES</b> 2.54 X 2.54mm PITCH, TWO ROWS PCB MOUNT, VERTICAL TWO PLASTIC BASE				
<b>TOLERANCES</b> XX ±0.3 XXX ±0.2 XXXX ±0.1 Angle ±5°	<b>TITLE</b> DRAWN BY: <i>Shon</i> CHECKED BY: <i>St. J. M</i> APPROVED BY: <i>Omur</i>	<b>UNIT</b> MM	<b>SCALE</b> NONE	<b>SIZE</b> A4	<b>DRAW NO.</b> D001-AE016	<b>REV.</b> A
<b>REV.</b> A	<b>DATE</b> 05.17.2012	<b>RELEASE DESCRIPTION</b>	<b>REVISIONS</b>			