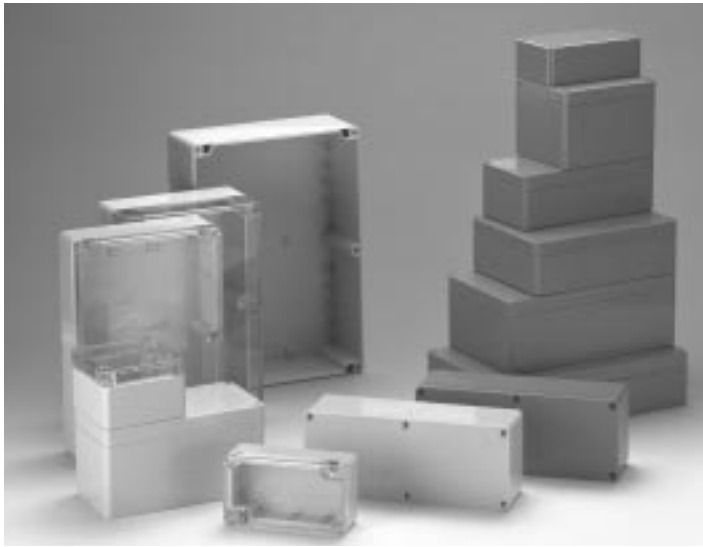


# CTPE200300-SERIES



## Sealed polycarbonate and abs enclosures 200 & 300 series

- The lid and base incorporate a tongue and groove with a neoprene gasket.
- Wall mounting holes and lid screws are outside the sealing area to help protect against moisture and dust.
- Designed to meet IP 65 of IEC 529 and NEMA 4 (dust and hose proof).
- Available with clear or light grey lids.
- Internal guide slots for mounting vertical PCB assemblies.
- Bosses on internal base allow fastening of PCBs or connection of terminals, etc. into threaded brass inserts.
- Lid screws are M-4 stainless steel (non-magnetic), fastened into threaded brass inserts.
- Polycarbonate material has a operating temperature of -40 c to 100 c.

Polycarbonate material: Molded in light grey.  
Operating temperature: -40 c to 100 c.  
Clear lid is available.

ABS material: Molded in dark grey.  
Operating temperature: -20 c to 100 c.  
Aclear lid is also available.

### Ordering information:

¥ Included are the lid screws, brass inserts and neoprene gasket.

¥ Add the letter (c) after the stock numbers to order clear lids for either the light or dark grey bases.

External mounting plate (4 pcs)

Made of thermoplastic

Stock no.: Mf-001

External hinge kit (2 pcs)

Made of thermoplastic

Stock no.: Emp-001

MATERIAL				
POLYCARBONATE		ABS		
COLOR				
LIGHT GREY	CLEAR LID	DARK GREY		
STOCK NO.	STOCK NO. CLEAR LID	STOCK NO.	EXTERNAL DIMENSION (in)	EXTERNAL DIMENSION (mm)
CTPE201	CTPE201C	CTPE302	2.52 X 2.28 X 1.58	64 X 58 X 35
CTPE203	CTPE203C	CTPE304	4.58 X 2.56 X 1.57	115 X 65 X 40
CTPE205	CTPE205C	CTPE308	4.58 X 2.56 X 2.17	115 X 65 X 55
CTPE212	CTPE212C	CTPE311	4.58 X 3.54 X 2.17	115 X 90 X 55
CTPE214	CTPE214C	CTPE313	6.73 X 4.76 X 2.17	171 X 121 X 55
CTPE218	CTPE218C	CTPE317	8.74 X 5.75 X 2.17	222 X 146 X 75
CTPE221	CTPE221C	CTPE331	4.58 X 3.54 X 3.15	115 X 90 X 80
CTPE223	CTPE223C	CTPE340	6.73 X 4.76 X 3.15	171 X 121 X 80
CTPE229	CTPE229C	CTPE346	7.68 X 3.15 X 2.17	195 X 80 X 55
CTPE232	CTPE232C	CTPE353	8.74 X 5.75 X 2.95	222 X 146 X 75
CTPE238	CTPE238C	CTPE378	10.43X 7.28 X 3.74	265 X 185 X 95
CTPE250	CTPE250C	CTPE362	2.05 X 1.97 X 1.38	52 X 50 X 35
CTPE256	CTPE256C	CTPE366	3.23 X 3.15 X 2.17	82 X 80 X 55
CTPE258	CTPE258C	CTPE368	6.30 X 3.15 X 2.17	160 X 80 X 55
CTPE265	CTPE265C	CTPE369	6.30 X 3.15 X 3.35	160 X 80 X 85
CTPE269	CTPE269C	CTPE373	7.87 X 4.73 X 2.95	200 X 120 X 75
CTPE278	CTPE278C	CTPE386	4.73 X 4.73 X 2.36	120 X 120 X 60
CTPE279	CTPE279C	CTPE387	4.73 X 4.73 X 3.54	120 X 120 X 90
CTPE287	CTPE287C	CTPE396	6.30 X 6.30 X 2.36	160 X 160 X 60
CTPE288	CTPE288C	CTPE399	6.30 X 6.30 X 9.54	160 X 160 X 90



Phone 1-800-809-2751

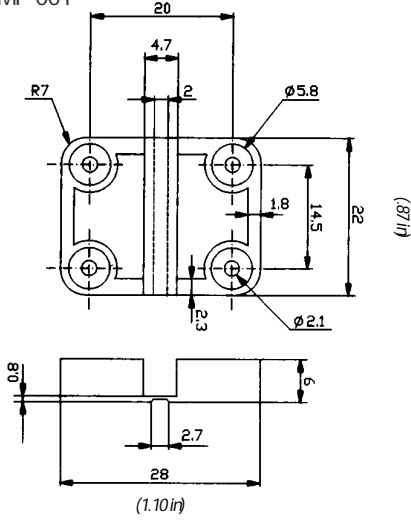
Fax 1-510-440-0579

www.connect-tech-products.com • info@connect-tech-products.com

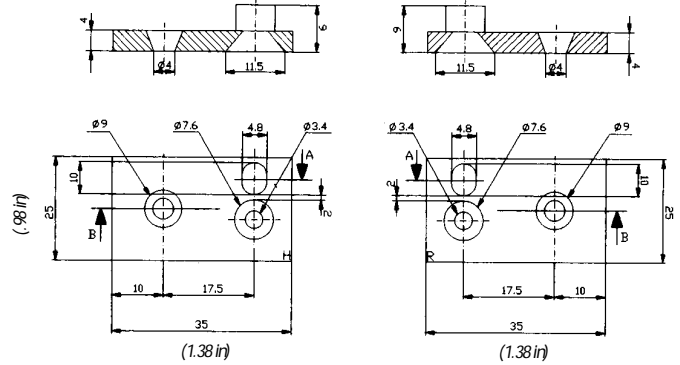
4428 Technology Drive • Fremont, CA 94538, USA • 510-498-8815 • Fax: 510-440-0579

# CTPE200300-SERIES

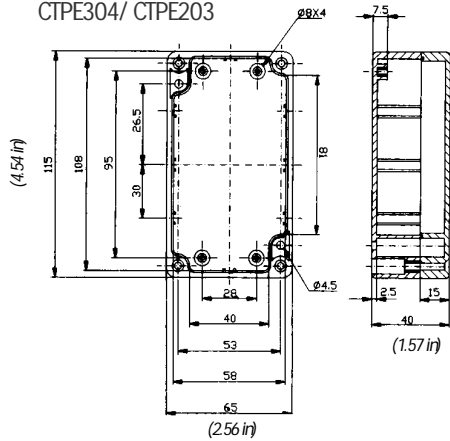
EMP-001



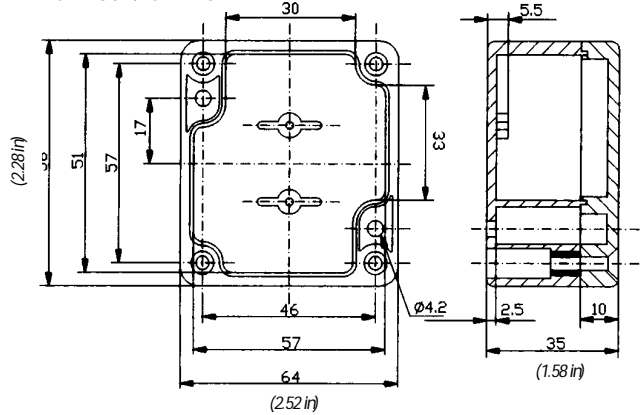
MF-001



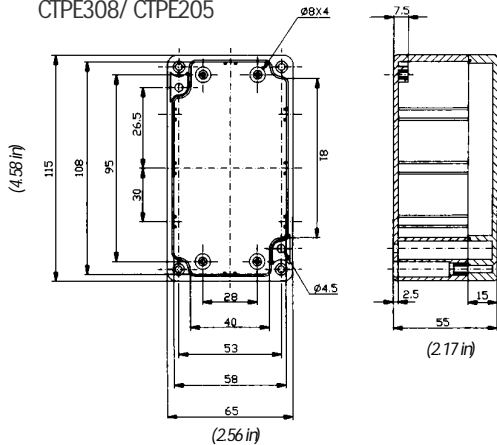
CTPE304/ CTPE203



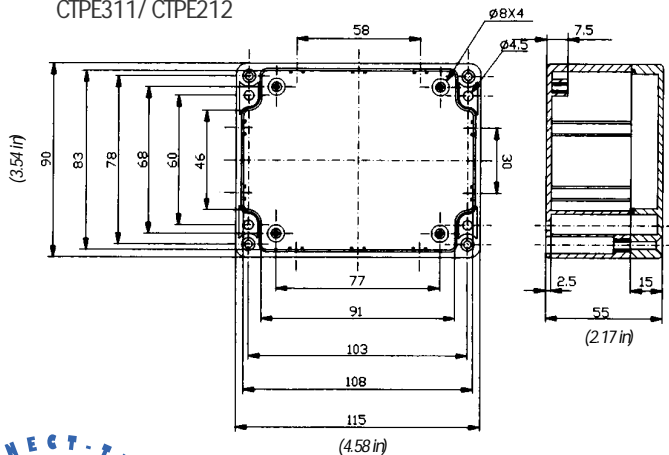
CTPE302/ CTPE201



CTPE308/ CTPE205



CTPE311/ CTPE212



Phone 1-800-809-2751

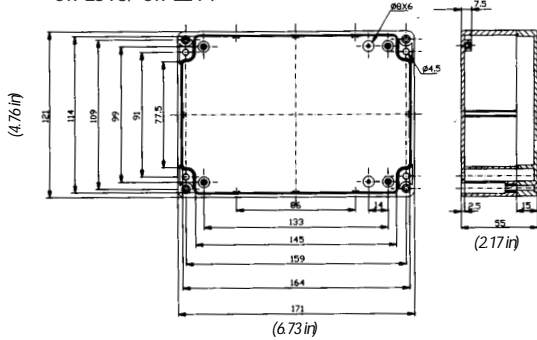
Fax 1-510-440-0579

www.connect-tech-products.com • info@connect-tech-products.com

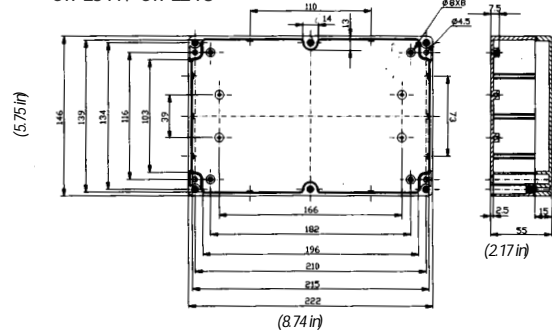
4428 Technology Drive • Fremont, CA 94538, USA • 510-498-8815 • Fax: 510-440-0579

# CTPE200300-SERIES

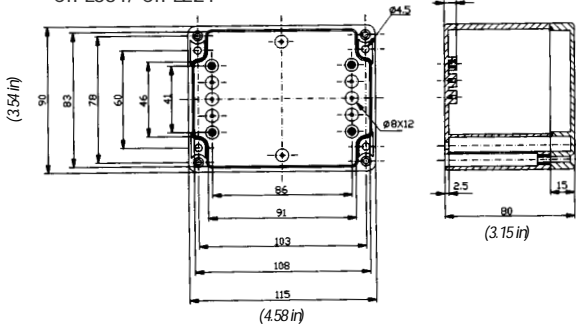
CTPE313/ CTPE214



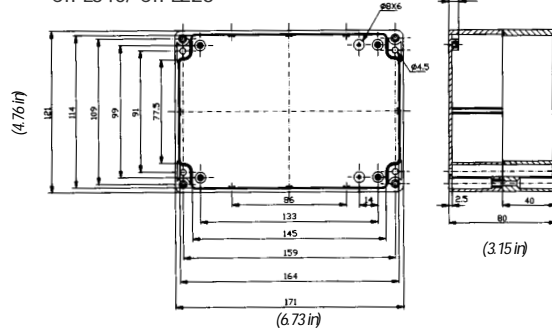
CTPE317/ CTPE218



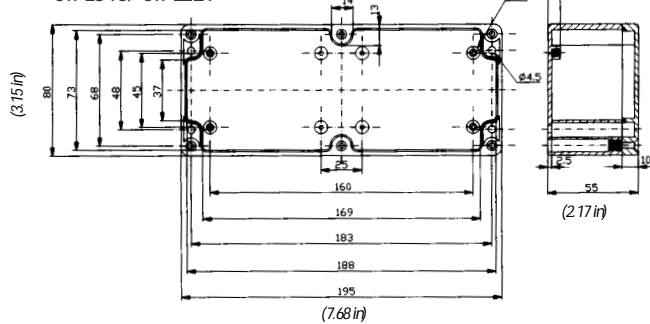
CTPE331/ CTPE221



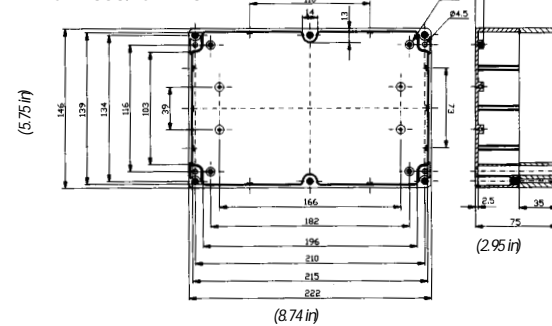
CTPE340/ CTPE223



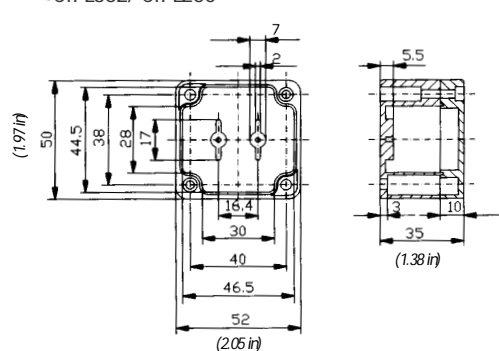
CTPE346/ CTPE229



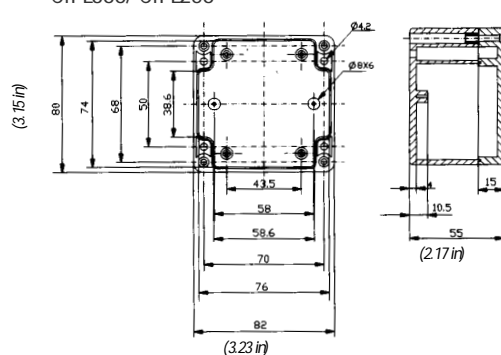
CTPE353/ CTPE232



CTPE362/ CTPE250



CTPE366/ CTPE256



Phone 1-800-809-2751

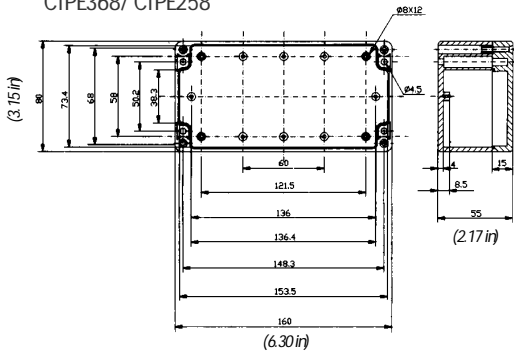
Fax 1-510-440-0579

www.connect-tech-products.com • info@connect-tech-products.com

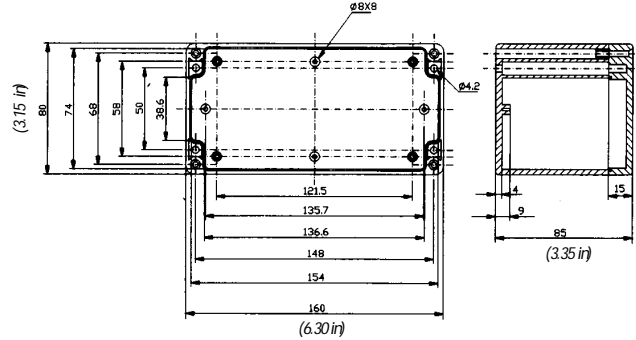
4428 Technology Drive • Fremont, CA 94538, USA • 510-498-8815 • Fax: 510-440-0579

# CTPE200300-SERIES

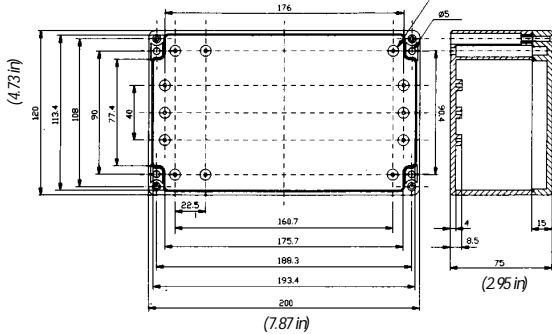
CTPE368/ CTPE258



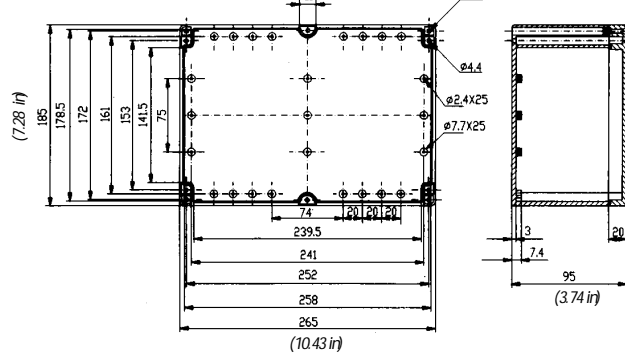
CTPE369/ CTPE265



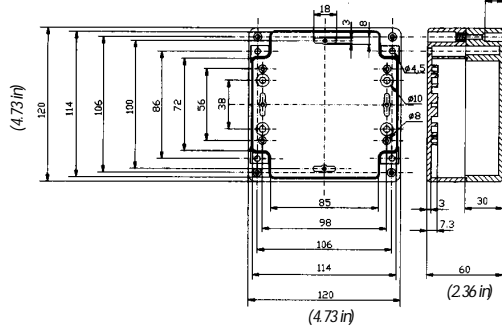
CTPE373/ CTPE269



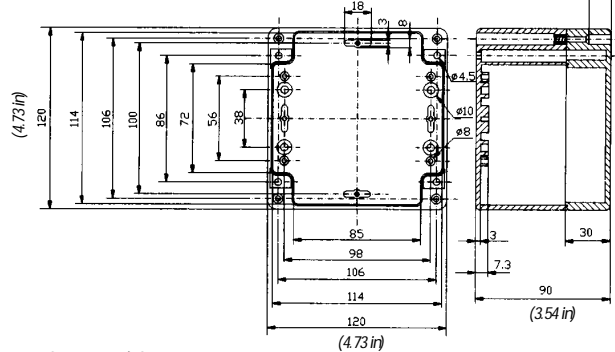
CTPE378/ CTPE238



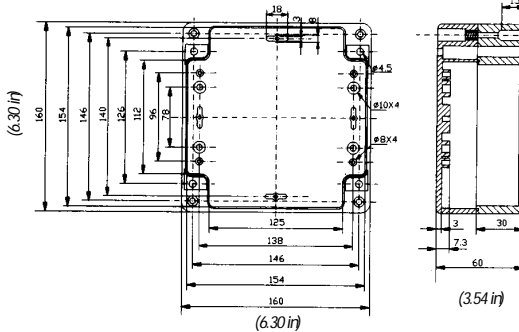
CTPE386/ CTPE278



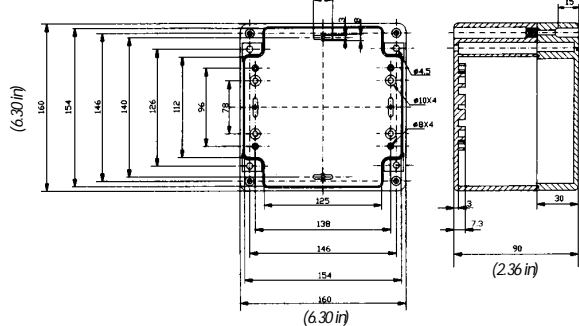
CTPE387/ CTPE279



CTPE399/ CTPE288



CTPE396/ CTPE287



Phone 1-800-809-2751

Fax 1-510-440-0579

www.connect-tech-products.com • info@connect-tech-products.com

4428 Technology Drive • Fremont, CA 94538, USA • 510-498-8815 • Fax: 510-440-0579