

Sealed Die-Cast Aluminum Enclosures 100 Series

Die-cast enclosures are for housing-sensitive electronic assemblies, pneumatic, hydraulic and electrical devices in commercial and industrial environments. These enclosures also provide effective shielding of EMI & RFI.

- Designed to meet IP 65 of IEC 529 and NEMA 4 (dust and hose proof) standards.
- Wall mounting holes and lid screws are outside the sealing area to help prevent against moisture and dust.
- The lid captures a recessed neoprene gasket.
- Bosses on internal base for fixing PCBs horizontally or connection of earth grounding, terminals, etc.
- Internal guide slots for mounting PCB assemblies vertically.
- Screw holes for lid mounting are roll threaded.
- Flush screws.

Specifications:

- Box and lid: aluminum alloy ADC-10 to Japan Industrial Standard (JIS) in natural finish.

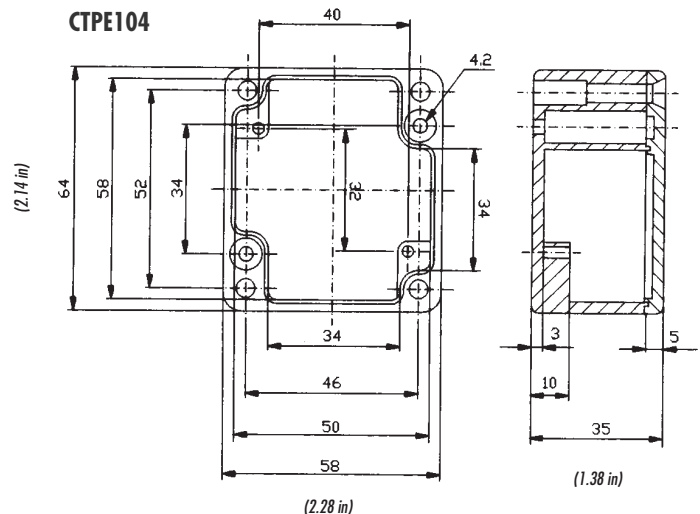
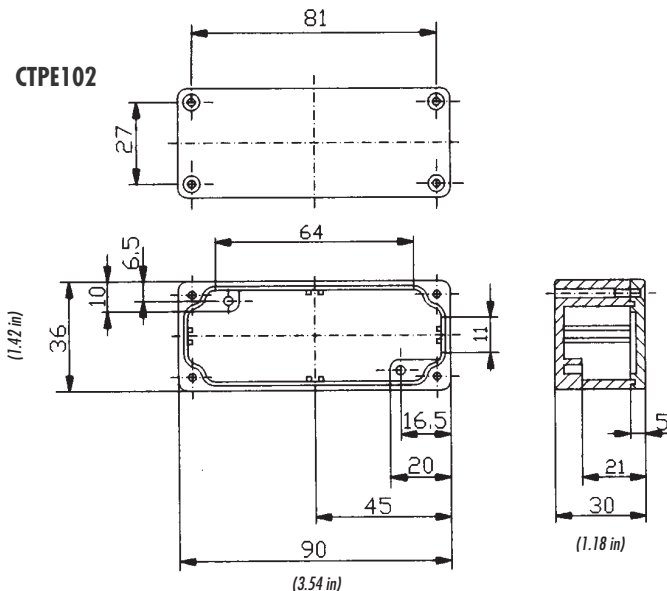
Finishes available:

- Painted, black.
- Epoxy coated, black.

Ordering information:

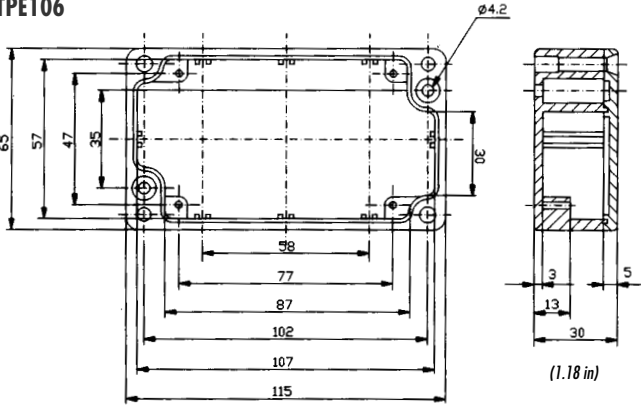
- Stock numbers are for natural aluminum and each enclosure is supplied with lid screws, neoprene gasket and a ground screw with washer.
- Add the following letters to the above stock numbers to order these finishes: (P) painted, (E) epoxy coated.

STOCK NO.	EXTERNAL DIMENSIONS (mm)	EXTERNAL DIMENSIONS (in)
CTPE102	90 X 36 X 30	3.54 X 1.42 X 1.18
CTPE104	64 X 58 X 35	2.54 X 2.28 X 1.38
CTPE106	115 X 65 X 30	4.53 X 2.56 X 1.18
CTPE111	115 X 65 X 55	4.53 X 2.56 X 2.17
CTPE113	115 X 90 X 55	4.53 X 3.54 X 2.17
CTPE115	148 X 108 X 75	5.83 X 4.25 X 2.95
CTPE120	171 X 121 X 55	6.73 X 4.76 X 2.17
CTPE124	222 X 146 X 55	8.74 X 5.75 X 2.17



CTPE106

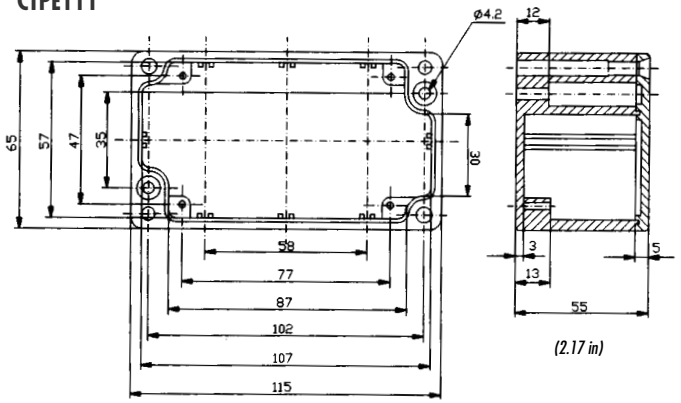
(2.56 in)



(4.53 in)

CTPE111

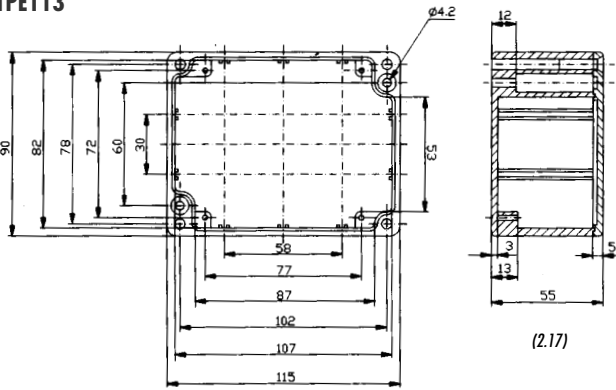
(2.56 in)



(4.53 in)

CTPE113

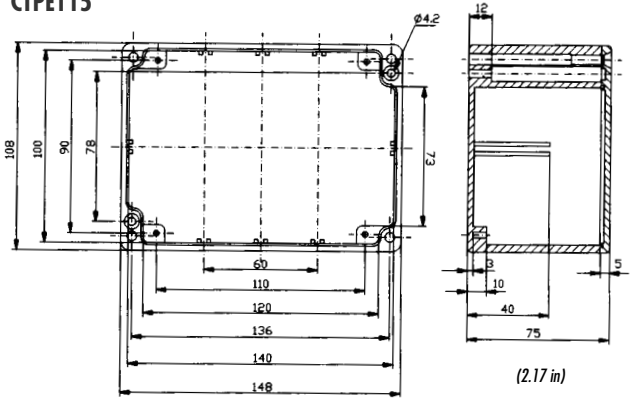
(3.54 in)



(4.53 in)

CTPE115

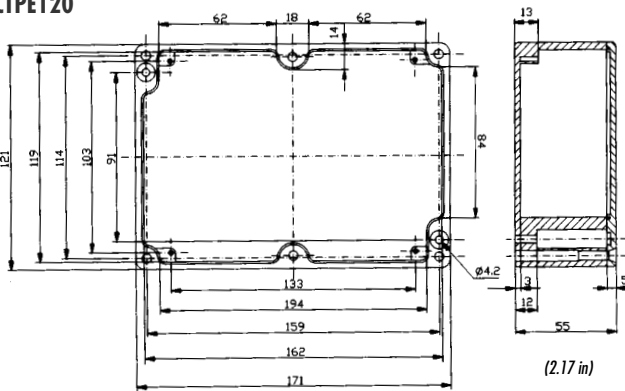
(4.25 in)



(5.83 in)

CTPE120

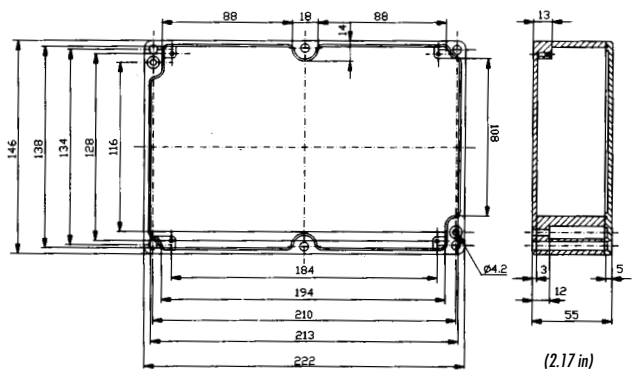
(4.76 in)



(6.73 in)

CTPE124

(5.75 in)



(8.74 in)

