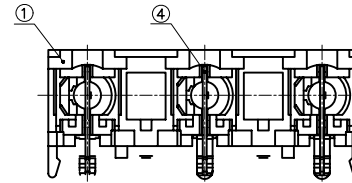
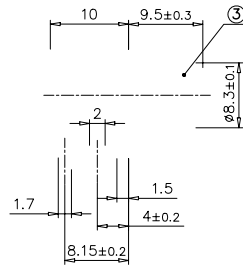
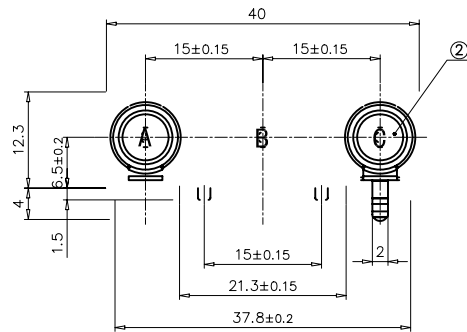
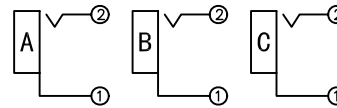
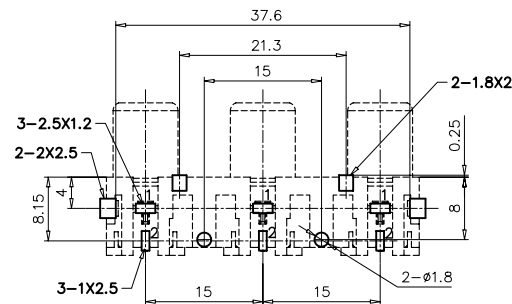


# CTP3-316-(COLOR)

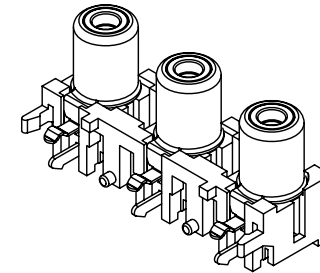
REV. B



COLOR TYPE		
R: RED	W: WHITE	B: BLACK
Y: YELLOW	G: GREY	BL: BLUE
GR: GREEN	BR: BROWN	PU: PURPLE
P: PINK	O: ORANGE	CO: COFFEE
P/N		
W	R	Y
W	Y	R
R	W	Y
R	Y	W
Y	R	W
Y	W	R
B	W	R
B	R	W
GR	BL	R
R	GR	W
Y	Y	Y
R	BL	GR



Circuit Diagram



PCB Holes Diagram  
Top View

\*Green Product\*

Angle	±5°
63 < L	±0.5
16 < L < 63	±0.4
4 < L < 16	±0.3
L < 4	±0.2
UNLESS TOLERANCE	

NO.	PART NAME	TER.NO.	QTY	MATERIAL	REMARK
4	TERMINAL	2	3	H62 t=0.5	CuSn-Plated
3	OUTER CONTACT	1	3	H65 t=0.3	CuSn-Plated
2	WASHER		3	ABS 777D	See Color Type
1	HOUSING		1	ABS 757	Black

Phone 1-800-809-2751



Fax 1-510-440-0579

www.connect-tech-products.com • info@connect-tech-products.com

4428 Technology Drive • Fremont, CA 94538, USA • 510-498-8815 • Fax: 510-440-0579