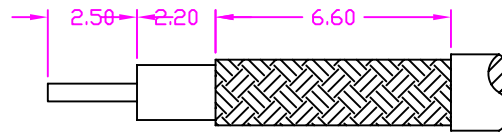
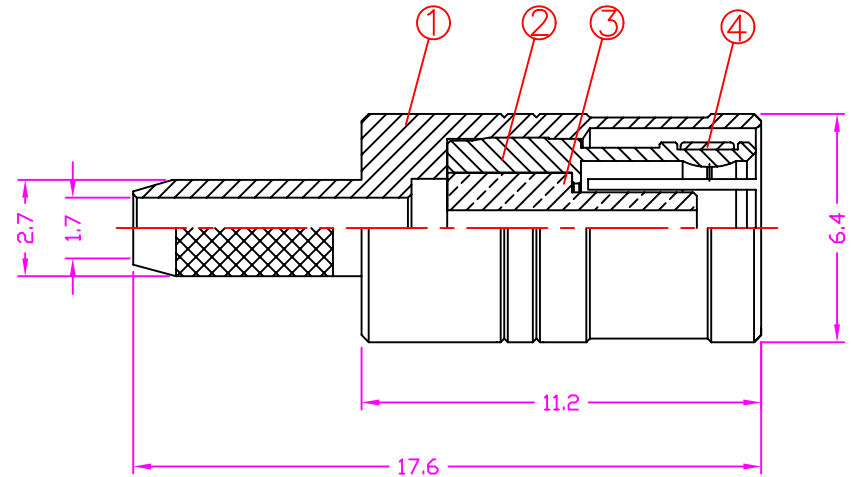
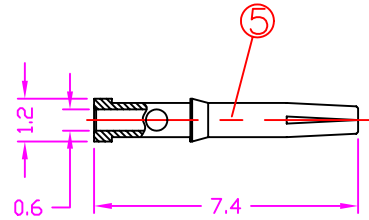
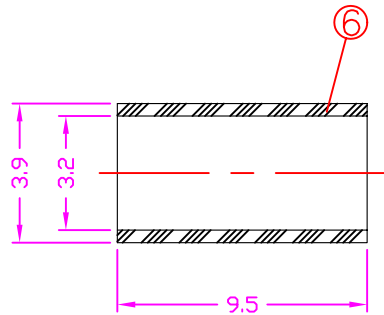


# CTP-SMB-512-50



RECOMMENDED  
CABLE STRIPPING DIM'S

## TOLERANCES

X.X ± 0.3  
X.XX ± 0.2  
X.XXX ± 0.1  
Angle ± 5°

## MATERIALS

1. BODY : BRASS, GOLD PLATED
2. BODY : BRASS, GOLD PLATED
3. INSULATOR : TEFLON UL94V-0, WHITE
4. C RING : BERYLLIUM COPPER, GOLD PLATED
5. CONTACT : PHESPHER BRONZE, GOLD 10u"
6. FERRULE : BRASS, GOLD PLATED

## OTHER INFORMATION

1. DIELECTRIC WITHSTANDING VOLTAGE :  
750V AC RMS FOR 1 MINUTE
2. INSULATION RESISTANCE :  
1000M OHMS MIN. AT 500V DC
3. OPERATING TEMPERATURE : -65°C ~ +165°C



Phone 1-800-809-2751

Fax 1-510-440-0579

www.connect-tech-products.com • info@connect-tech-products.com

4428 Technology Drive • Fremont, CA 94538, USA • 510-498-8815 • Fax: 510-440-0579