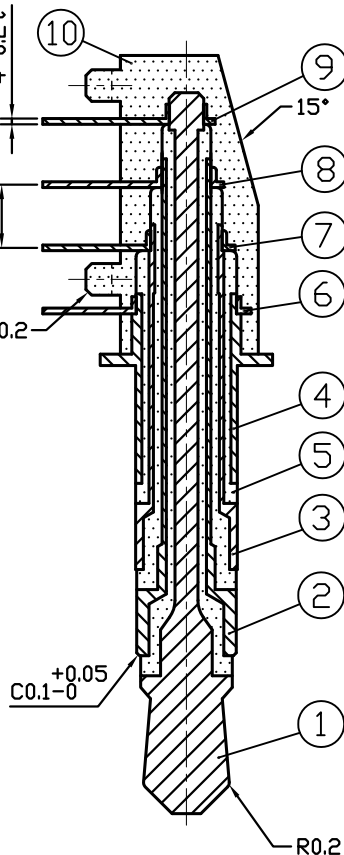
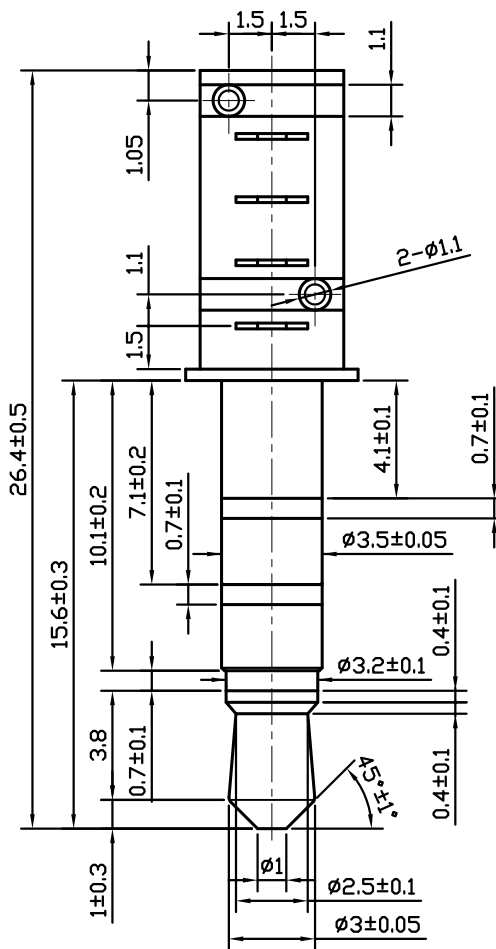
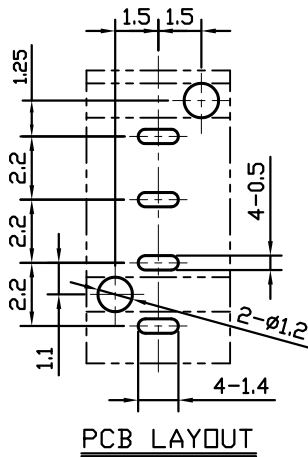
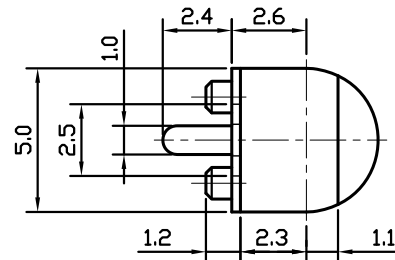


CTP-P-354-341

10		INSULATOR	PBT (HB)		
9	170-252	TERMINAL C	BRASS	SEMI-GLOSS NI PLATED	1
8	170-306	TERMINAL D	BRASS	SEMI-GLOSS NI PLATED	1
7	170-251	TERMINAL B	BRASS	SEMI-GLOSS NI PLATED	1
6	170-250	TERMINAL A	BRASS	SEMI-GLOSS NI PLATED	1
5		INSULATOR	NYLON	BLACK	
4	116-080	OUTER TUBE	BRASS	NI PLATED	1
3	113-305	2ND TUBE	BRASS	NI PLATED	1
2	113-304	1ST TUBE	BRASS	NI PLATED	1
1	113-303	PIN	BRASS	NI PLATED	1
ITEM	DRAWING NUMBER	NAME	MATERIAL	FINISH	QTY
UNIT	MM	SCALE: 1/4	3.5MM 4 POSITION PLUG (ø6.0, 26.4L)		

RoHS COMPLIANT
EU Directive 2002/95/EC



- 1. Dielectric strength: AC 500V/ 1 minute.
- 2. Insulation resistance: 100MΩ or over. (DC 500V)
- 3. Contact resistance: 30mΩ or less.

DIMENSIONS RANGE	TOLRANGE UNLESS SPECIFIED
0.5<X<1	±0.1
1<X<6	±0.15
6<X<18	±0.2
18<X<50	±0.3



Phone 1-800-809-2751

Fax 1-510-440-0579

www.connect-tech-products.com • info@connect-tech-products.com

4428 Technology Drive • Fremont, CA 94538, USA • 510-498-8815 • Fax: 510-440-0579