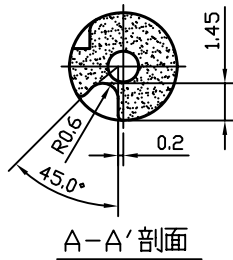
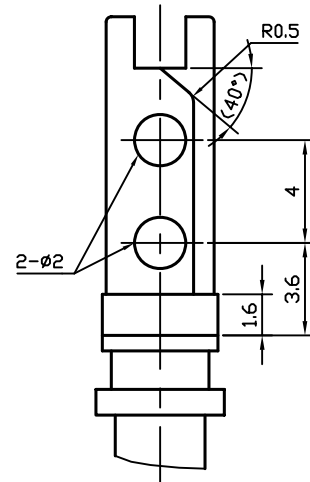
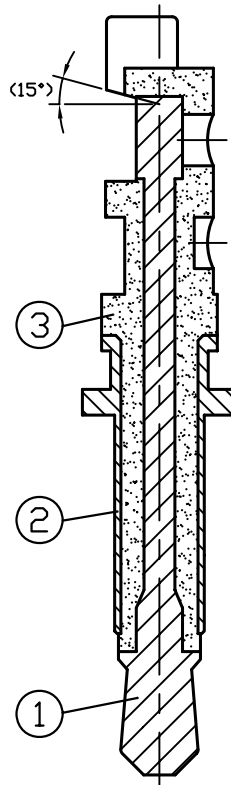
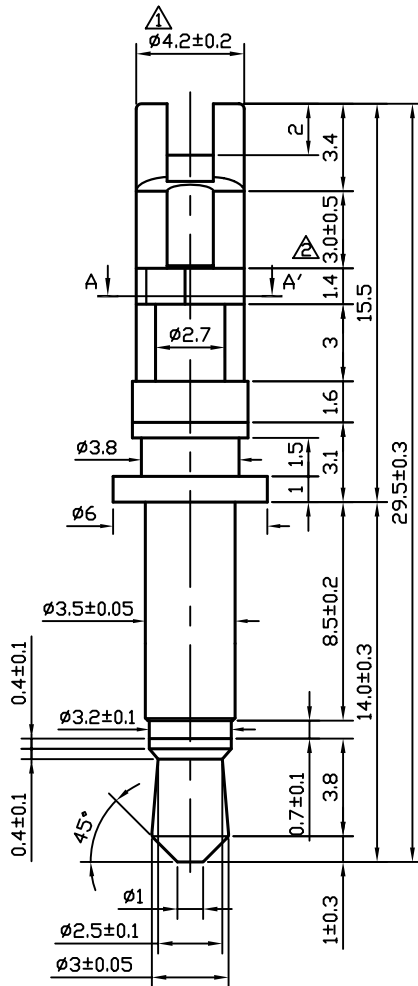
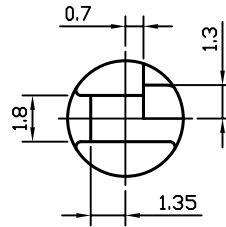


CTP-P-352-602

DIMENSIONS RANGE	TOLERANCE UNLESS SPECIFIED
0.5<X<1	±0.1
1<X<6	±0.15
6<X<18	±0.2
18<X<50	±0.3



RoHS COMPLIANT
EU Directive 2002/95/EC

1. THE DIMENSION IN THIS DRAWING IS MADE AFTER PLATING.
2. SURFACE PLATING: NICKEL PLATED. 50μ"

3		DIELECTRIC	ABS		
2	116-012	SLEEVE	BRASS	NI/AG	1
1	113-029	PIN	BRASS	NI/AG	1
ITEM	DRAWING NUMBER	PART NAME	MATERIAL	PLATED	Q'TY
THIRD ANGLE PROJECTION		3.5 MOND PLUG(ø6,29.5L)			
UNIT	mm	SCALE	4/1		

Phone 1-800-809-2751



Fax 1-510-440-0579

www.connect-tech-products.com • info@connect-tech-products.com

4428 Technology Drive • Fremont, CA 94538, USA • 510-498-8815 • Fax: 510-440-0579