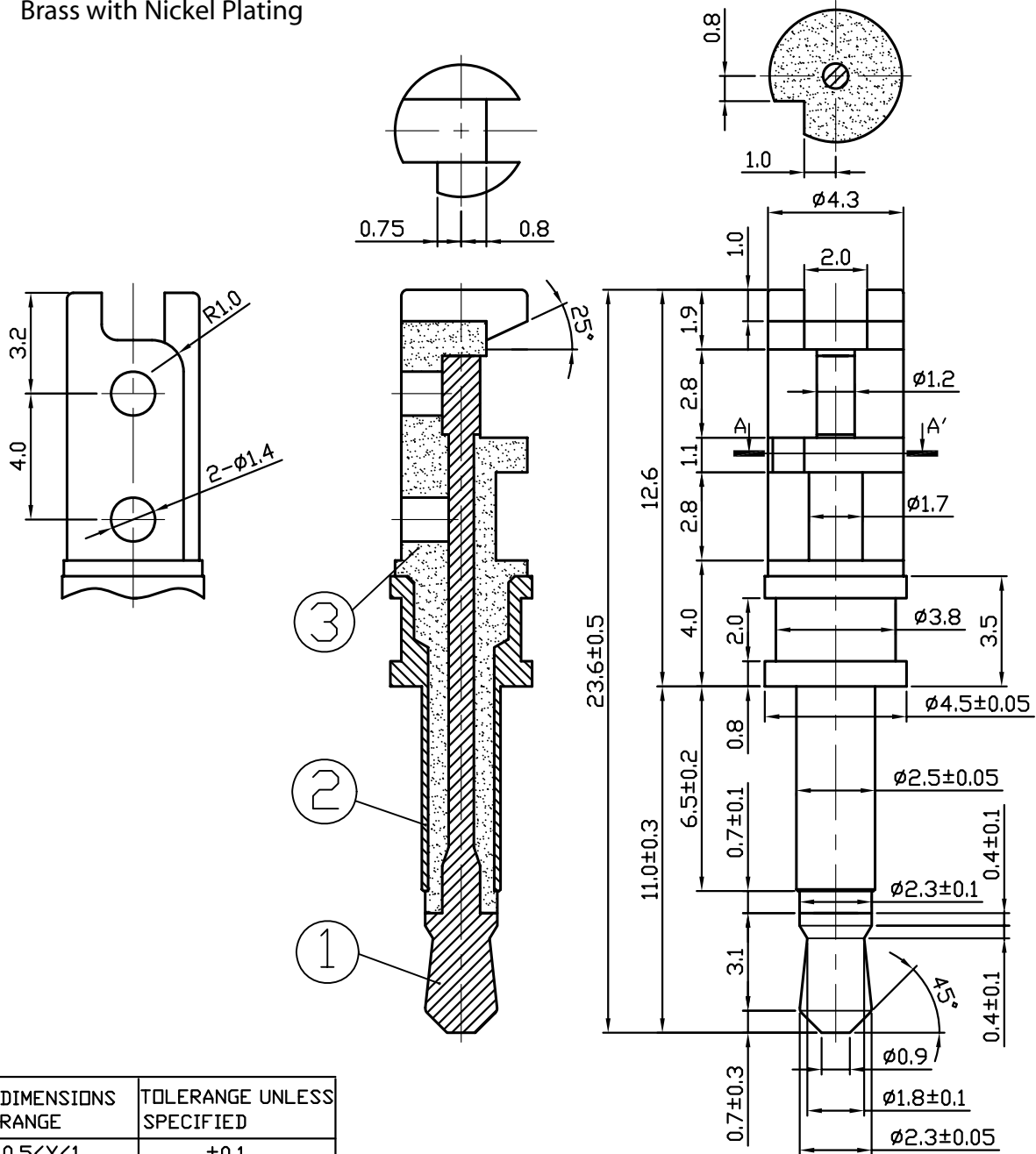


CTP-P-252

Material:
Brass with Nickel Plating



DIMENSIONS RANGE	TOLERANCE UNLESS SPECIFIED
$0.5 \leq X < 1$	± 0.1
$1 \leq X \leq 6$	± 0.15
$6 \leq X \leq 18$	± 0.2
$18 \leq X \leq 50$	± 0.3



Phone 1-800-809-2751 Fax 1-510-440-0579
www.connect-tech-products.com • info@connect-tech-products.com

4428 Technology Drive • Fremont, CA 94538, USA • 510-498-8815 • Fax: 510-440-0579