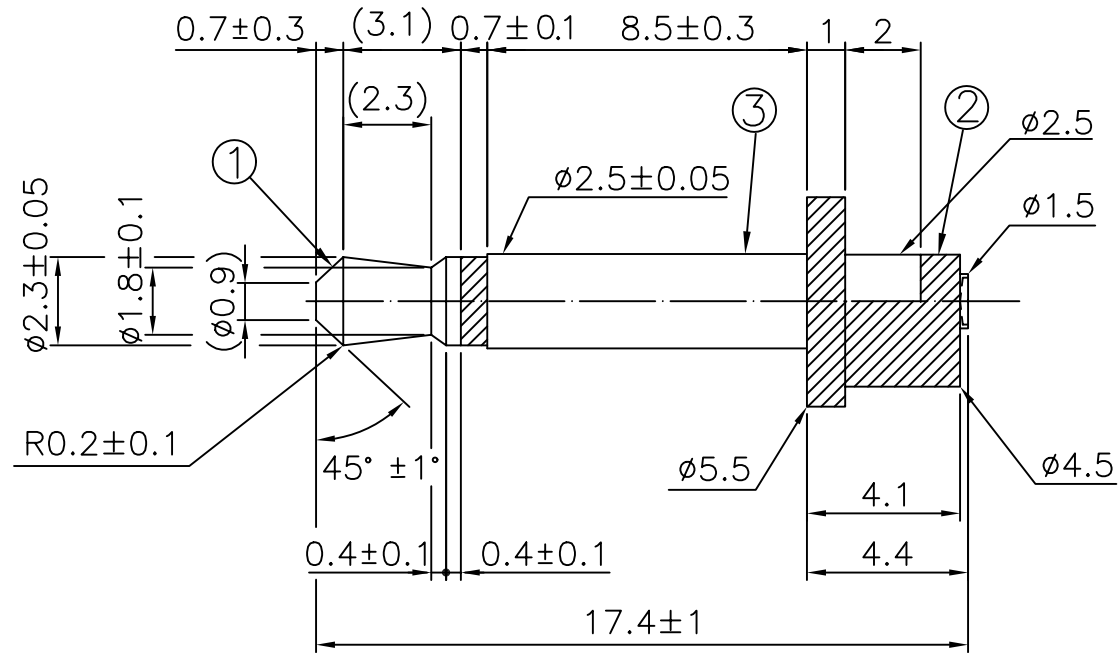


CTP-P-252-13



| | |
|----|--------------|
| 3 | BRASS NICKEL |
| 2 | A.B.S BLACK |
| 1 | BRASS NICKEL |
| NO | CONTENT |



Phone 1-800-809-2751

Fax 1-510-440-0579

www.connect-tech-products.com • info@connect-tech-products.com

4428 Technology Drive • Fremont, CA 94538, USA • 510-498-8815 • Fax: 510-440-0579