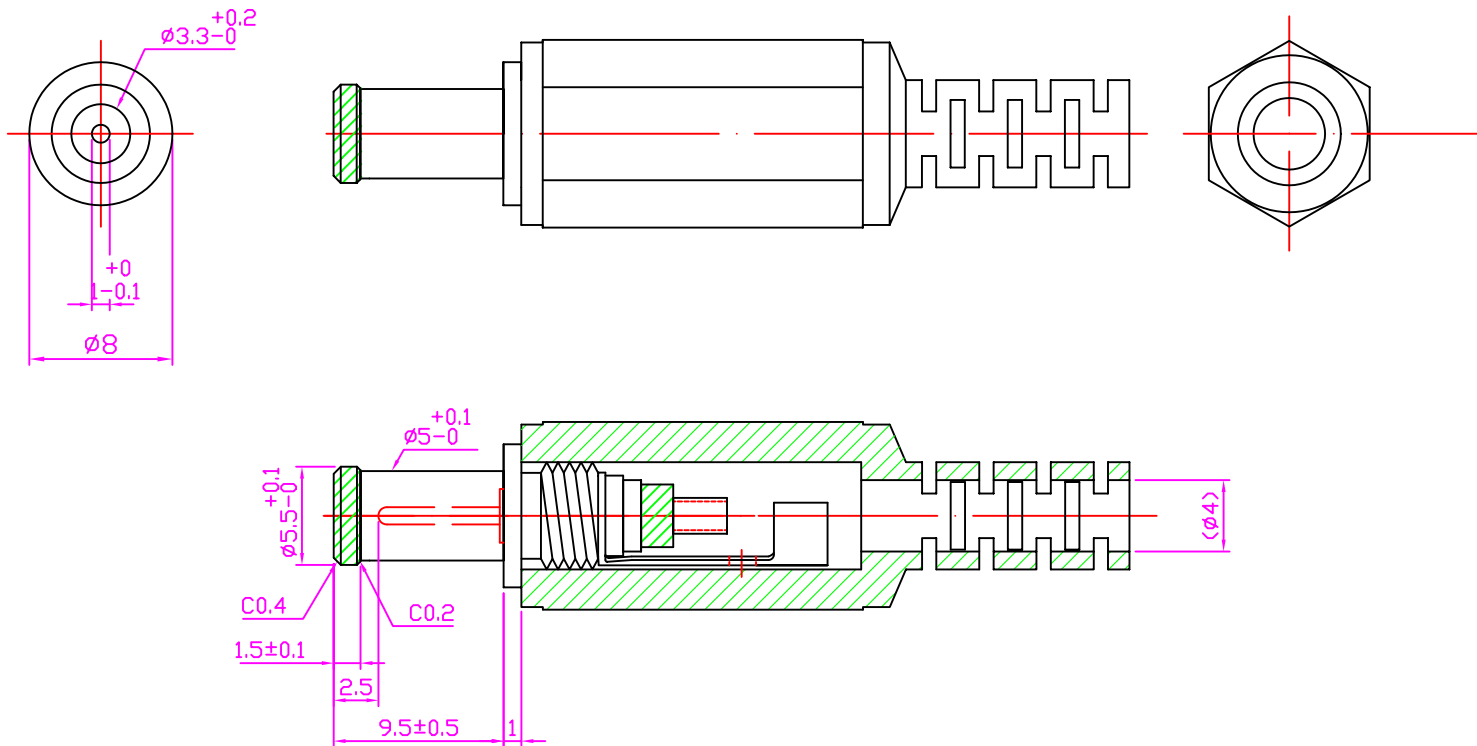


# CTP-P-1033-S



## MATERIALS

1. INSULATOR : POM UL94V-0, BLACK
2. BODY : BRASS NICKEL PLATED
3. CONTACT : BRASS NICKEL PLATED
4. SOLDER CONTACT : BRONZE, NICKEL
5. CLIP : BRASS NICKEL
6. OUTER : PVC BLACK



Phone 1-800-809-2751

Fax 1-510-440-0579

[www.connect-tech-products.com](http://www.connect-tech-products.com) • [info@connect-tech-products.com](mailto:info@connect-tech-products.com)

4428 Technology Drive • Fremont, CA 94538, USA • 510-498-8815 • Fax: 510-440-0579