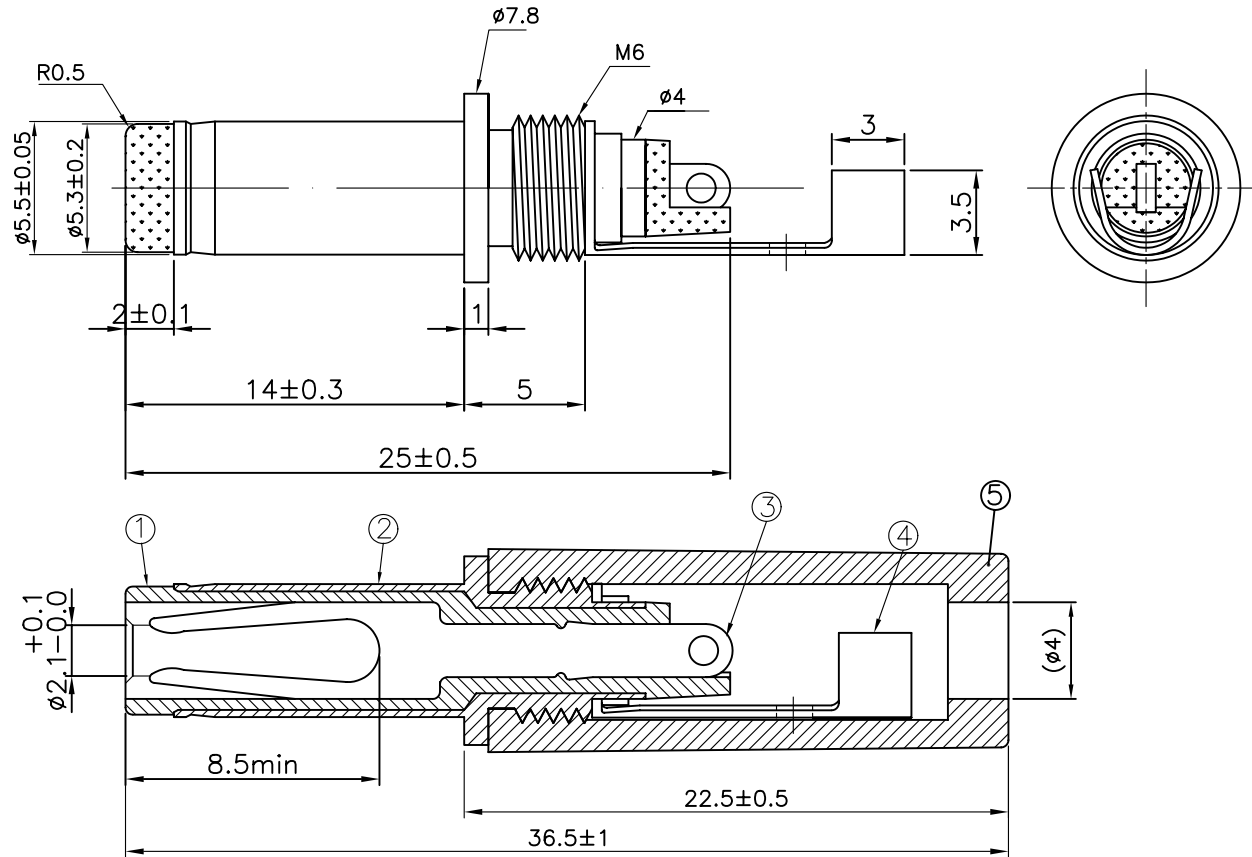


CTP-P-1021-S



| | |
|----|-----------------|
| 5 | ABS BLACK |
| 4 | BRASS NICKEL |
| 3 | P-BRONZE NICKEL |
| 2 | BRASS NICKEL |
| 1 | PBT BLACK |
| NO | CONTENT |

| 一般公差 | |
|-----------|------|
| 尺寸區分 | 公差 |
| 0>1.0 | ±0.1 |
| 1.0>6.0 | ±0.2 |
| 6.0>12.0 | ±0.3 |
| 12.0>25.0 | ±0.4 |
| 25.0> | ±0.5 |



Phone 1-800-809-2751

Fax 1-510-440-0579

www.connect-tech-products.com • info@connect-tech-products.com

4428 Technology Drive • Fremont, CA 94538, USA • 510-498-8815 • Fax: 510-440-0579