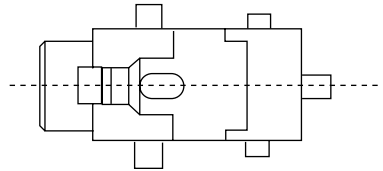
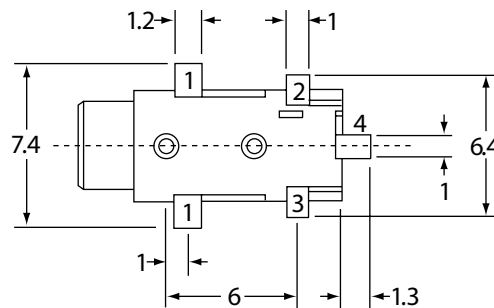
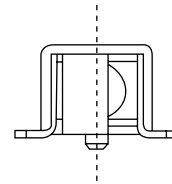
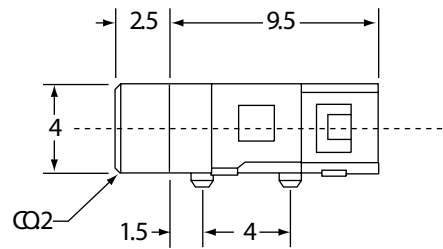
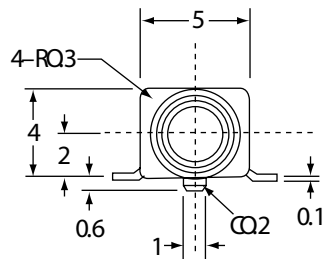
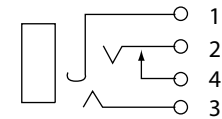


CTP-J-2303-03P-Au

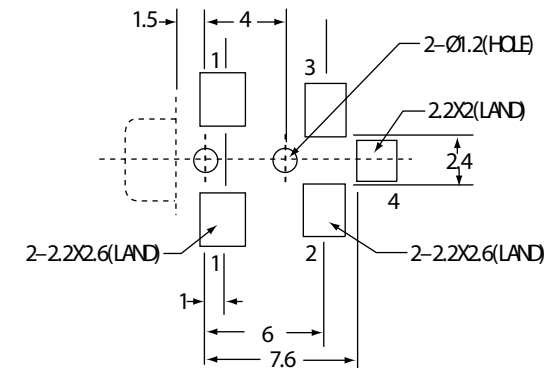


Gold Plated Contacts and Leads

CIRCUIT DIAGRAM



PAD LAYOUT



Phone 1-800-809-2751



Fax 1-510-440-0579

www.connect-tech-products.com • info@connect-tech-products.com

4428 Technology Drive • Fremont, CA 94538, USA • 510-498-8815 • Fax: 510-440-0579