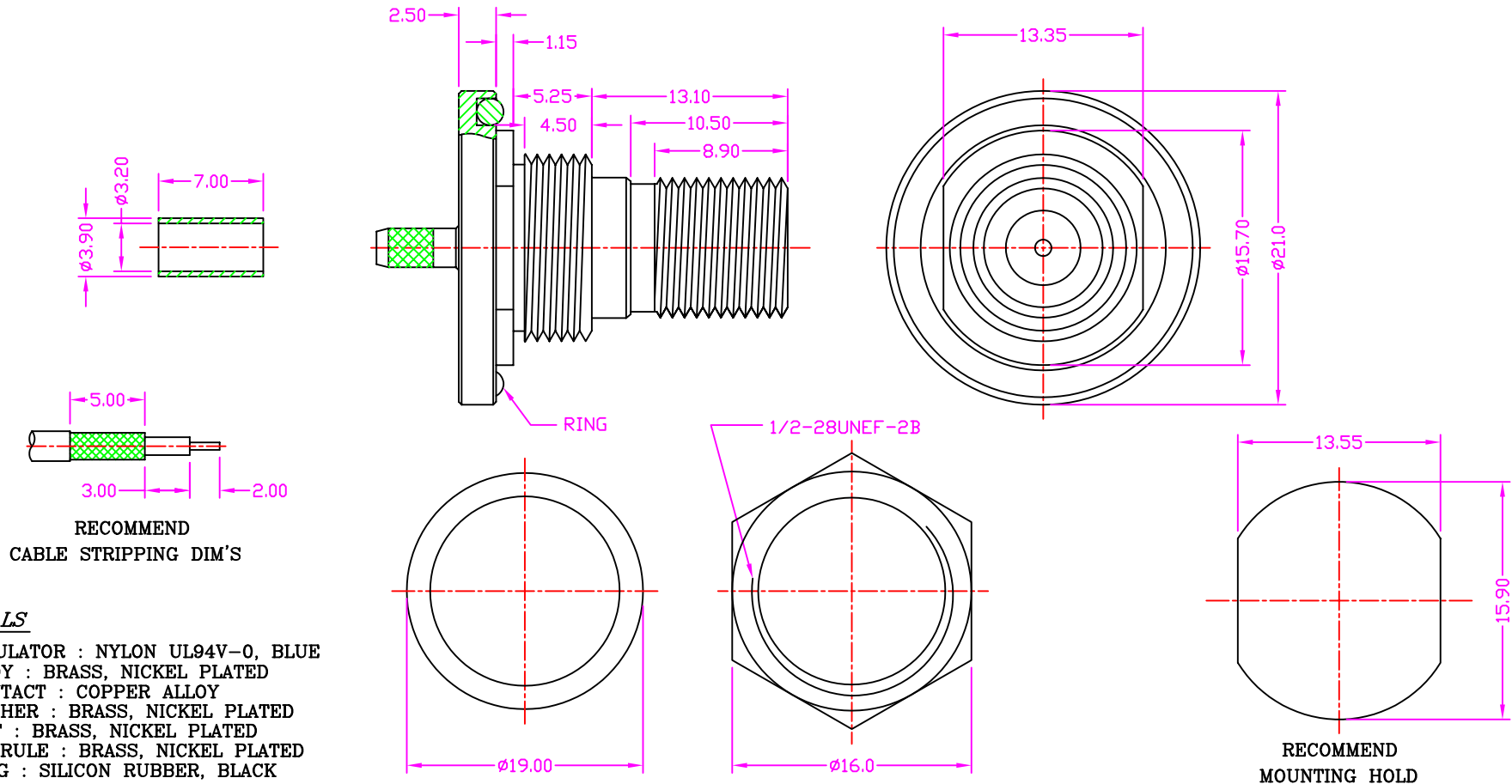


CTP-F-2501-3



RECOMMEND
CABLE STRIPPING DIM'S

MATERIALS

1. INSULATOR : NYLON UL94V-0, BLUE
2. BODY : BRASS, NICKEL PLATED
3. CONTACT : COPPER ALLOY
4. WASHER : BRASS, NICKEL PLATED
5. NUT : BRASS, NICKEL PLATED
6. FERRULE : BRASS, NICKEL PLATED
7. RING : SILICON RUBBER, BLACK

OTHER INFORMATION

1. OPERATING TEMPERATURE : -40°C ~ +80°C



Phone 1-800-809-2751

Fax 1-510-440-0579

www.connect-tech-products.com • info@connect-tech-products.com

4428 Technology Drive • Fremont, CA 94538, USA • 510-498-8815 • Fax: 510-440-0579