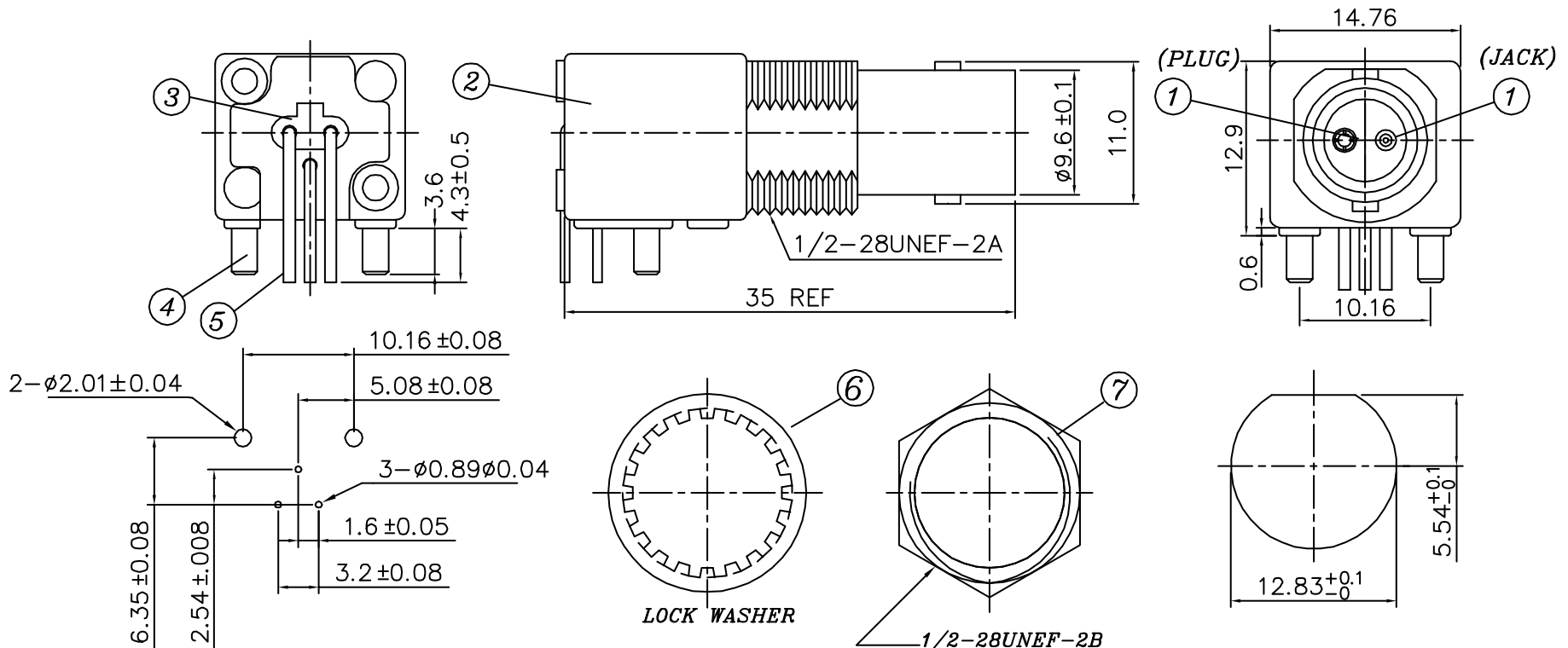


CTP-BR-1003-L-Z

CTP-7BR-1003-L-Z



RECOMMENDED PC BOARD LAYOUT
WITHOUT MOUNTING POSTS

RECOMMENDED MOUNTING HOLE
MAXIMUM PANEL THICKNESS: 5.5MM

MATERIAL & FINISH

- | | |
|--|--|
| ① CENTER CONTACT (JACK&PLUG) : BRASS, GOLD PLATING | ⑤ SOLDER TAIL : COPPER WIRE, TIN PLATING |
| ② BODY : ZINC ALLOY NICKEL PLATING | ⑥ WASHER : STEEL, NICKEL PLATING |
| ③ INSULATOR : PE-606 | ⑦ NUT : BRASS, NICKEL PLATING |
| ④ MOUNTING POST : BRONZE, TIN PLATING | |



Phone 1-800-809-2751

Fax 1-510-440-0579

www.connect-tech-products.com • info@connect-tech-products.com

4428 Technology Drive • Fremont, CA 94538, USA • 510-498-8815 • Fax: 510-440-0579