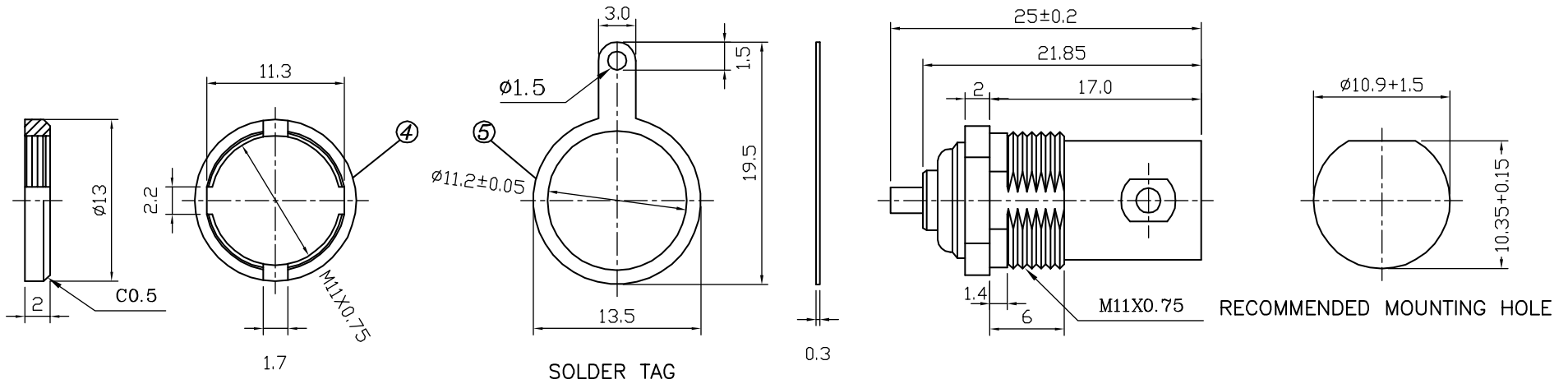


CTP-BH-010-2



SPECIFICATION

IMPEDANCE 50 OHM

FREQUENCY RANGE : 0~4GHz

VOLTAGE RATING : 500V RMS

INTERFACE PER MIL-C-39012C

MATERIAL & FINISH

① BODY & ④ NUT : DIECAST (ZINC#3)

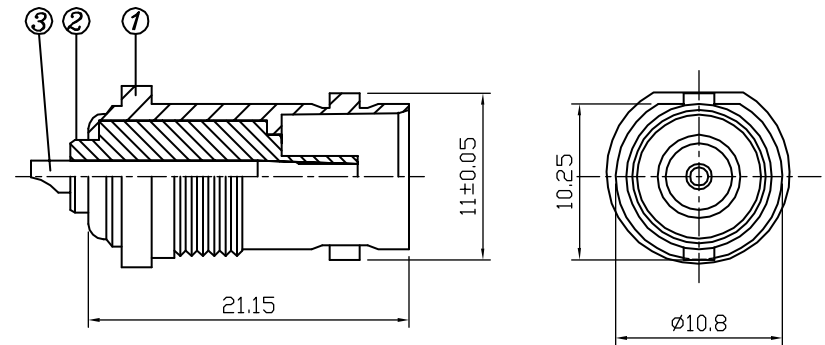
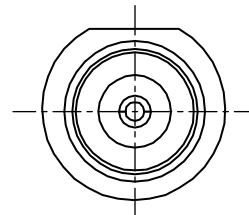
NICKEL PLATING PER QQ-N-290 OVER
COPPER UNDERCOAT PER MIL-C-14550

② INSULATOR : DELRIN

③ CENTER CONTACT: BRASS, GOLD PLATING

PER MIL-C-45204 TYPE II, CLASS I

⑤ SOLDER TAG : BRASS, NICKEL PLATING PER QQ-N-290



Phone 1-800-809-2751



Fax 1-510-440-0579

www.connect-tech-products.com • info@connect-tech-products.com

4428 Technology Drive • Fremont, CA 94538, USA • 510-498-8815 • Fax: 510-440-0579