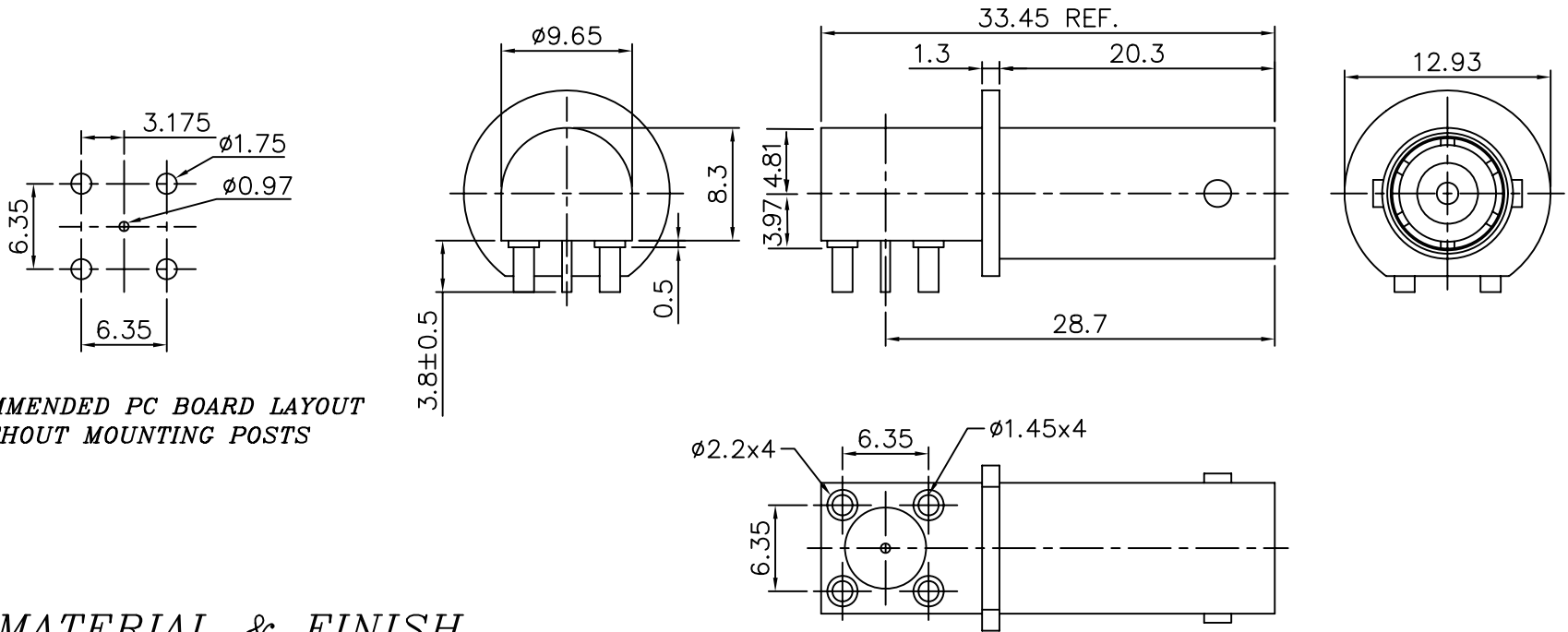


CTP-BR-43031

CTP-7BR-43031



RECOMMENDED PC BOARD LAYOUT
WITHOUT MOUNTING POSTS

MATERIAL & FINISH

BODY: ZINC ALLOY/NICKEL

CONTACT: BRONZE/GOLD PLATING

INSULATOR: TPX

MOUNTING POST : BRONZE / TIN PLATED



Phone 1-800-809-2751

Fax 1-510-440-0579

www.connect-tech-products.com • info@connect-tech-products.com

4428 Technology Drive • Fremont, CA 94538, USA • 510-498-8815 • Fax: 510-440-0579