

1 2 3 4 5 6 7 8

A

B

C

D

E

F

A

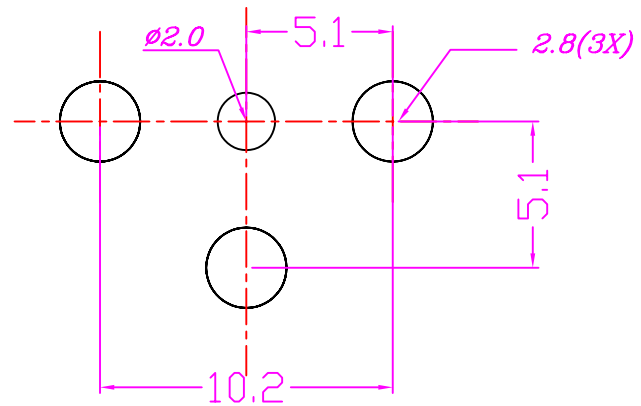
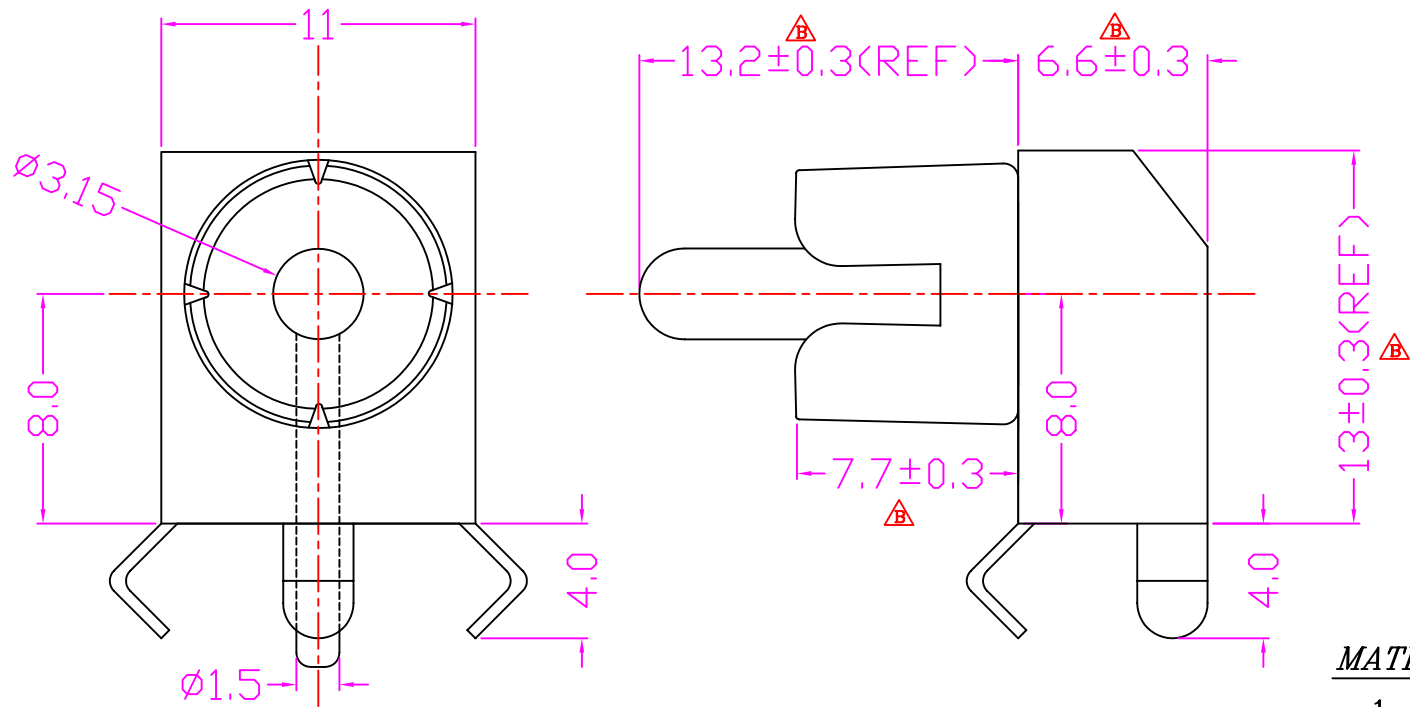
B

C

D

E

F



**MATERIALS**

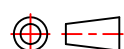
- 1. INSULATOR : PHENOLIC, UL94V-0
- 2. SHELL : C.R. STEEL, NICKEL PLATED
- 3. CONTACT : BRASS, NICKEL PLATED

**PART NUMBER**

C T P - 5 0 3 A - 0 1



**Connect-Tech Products Corp.**  
 TEL:1-800-809-2751 www.connect-tech-products.com

TOLERANCES	TITLE	RCA SERIES			
		R/A, W/ METAL SHIELD, PLUG			
XX ±0.3 X.XX ±0.2 X.XXX±0.1 Angle ±5°	DRAWN BY	CHECKED BY	APPROVED BY		
	<i>Cortos</i>	<i>T.Y.H</i>	<i>Ping</i>		
	UNIT	SCALE	SIZE	DRAW NO.	REV.
	MM	NONE	A4	D033-PF012	B

B	0716,2009	MODIFIED
A	0502,2005	RELEASE
REV.	DATE	DESCRIPTION

1 2 3 4 5 6 7 8