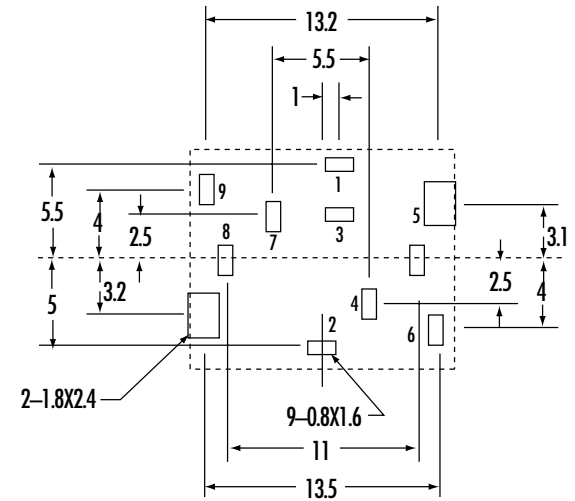
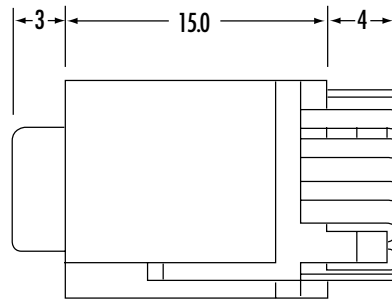
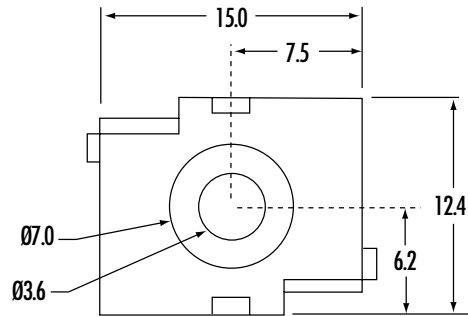


# CTP-35003-XX

CTP-35003-XX  
3.5MM VERTICAL STEREO JACK



PCB LAYOUT  
(BOTTOM VIEW)

MODEL CTP	35003-01	35003-02	35003-03	35003-04	35003-05	35003-06
SCHEMATIC						

Phone 1-800-809-2751



Fax 1-510-440-0579

[www.connect-tech-products.com](http://www.connect-tech-products.com) • [info@connect-tech-products.com](mailto:info@connect-tech-products.com)

4428 Technology Drive • Fremont, CA 94538, USA • 510-498-8815 • Fax: 510-440-0579