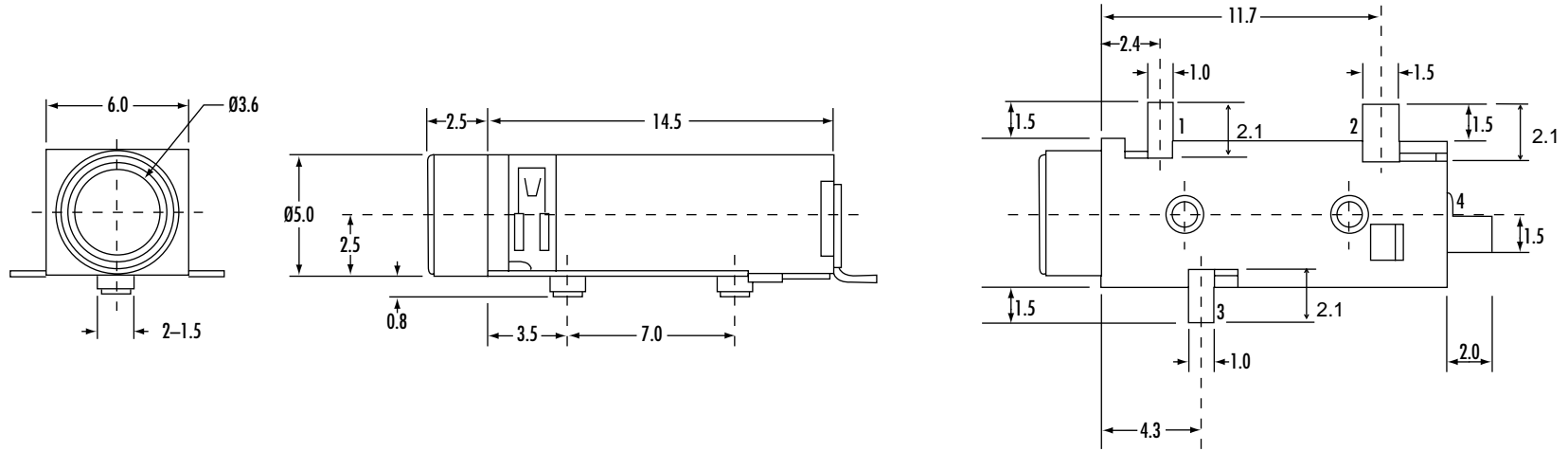


CTP-330-M CTP-330-W CTP-330-W-C



SCHEMATIC			
PART NUMBER	CTP-330-W-C	CTP-330-W	CTP-330-M

P.C.B LAYOUT
(BOTTOM VIEW)

Phone 1-800-809-2751



Fax 1-510-440-0579

www.connect-tech-products.com • info@connect-tech-products.com

4428 Technology Drive • Fremont, CA 94538, USA • 510-498-8815 • Fax: 510-440-0579