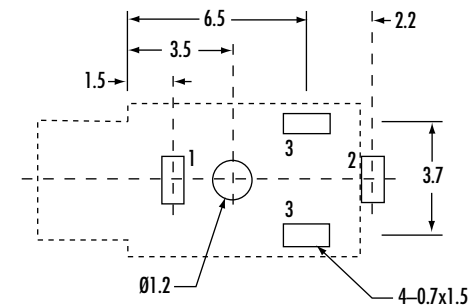
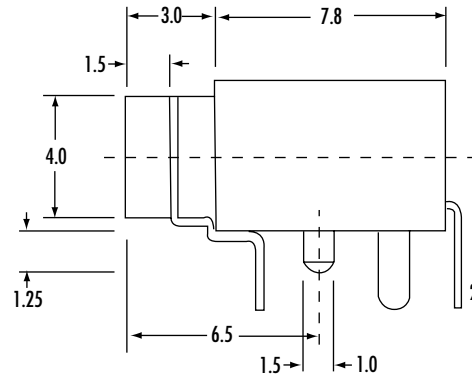
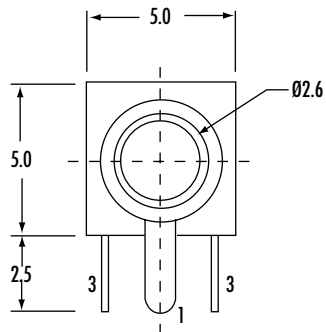


CTP-25402 S/M



P.C.B. LAYOUT
(BOTTOM VIEW)

	STEREO	MONO
SCHEMATIC		
PART NUMBER	CTP-25402S	CTP-25402M

NOTE:

THE S VERSION FOR CTP-25402 S CAN BE USED FOR MONO PLUGS BY TIP TO #3 AND SLEEVE TO #1 AND 2 FOR BETTER STRENGTH TO MINIMIZE POTENTIAL JACK DAMAGE.

Phone 1-800-809-2751



Fax 1-510-440-0579

www.connect-tech-products.com • info@connect-tech-products.com

4428 Technology Drive • Fremont, CA 94538, USA • 510-498-8815 • Fax: 510-440-0579