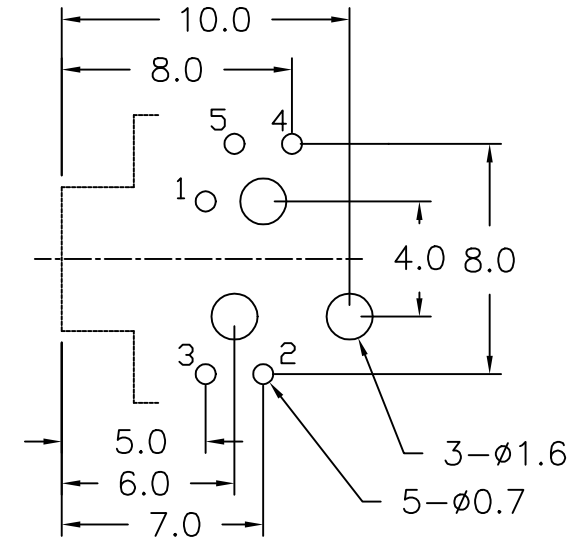
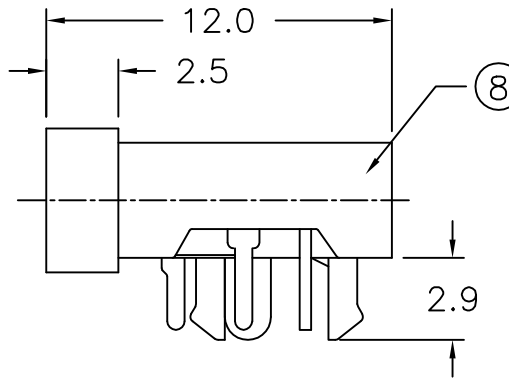
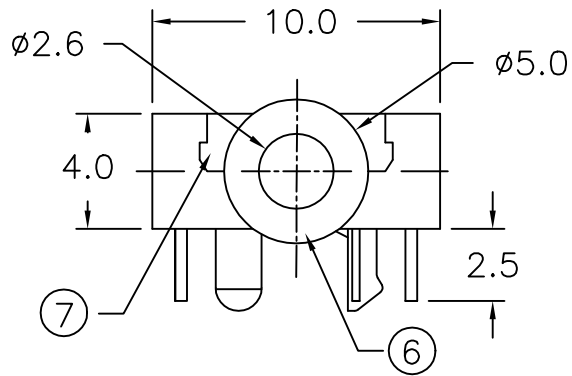


CTP-25001-Mx



P.C.B. LAYOUT
(BOTTOM VIEW)

8	Housing	PA (Rated UL 94V-0)	Black	1
7	Cover	PA (Rated UL 94V-0)	Black	1
6	Bushing	Brass	Nickel Plated	1
5	Tip Terminal	Phosphor Bronze	Tin Plated	1
4	TS Terminal	Phosphor Bronze	Tin Plated	1
3	RS Terminal	Phosphor Bronze	Tin Plated	1
2	Ring Terminal	Phosphor Bronze	Tin Plated	1
1	Sleeve Terminal	Phosphor Bronze	Tin Plated	1
ITEM	NAME	MATERIAL	FINISH	SUM

SCHEMATIC		
MODEL NO	CTP-25001-M5	CTP-25001-M3

Phone 1-800-809-2751



Fax 1-510-440-0579

www.connect-tech-products.com • info@connect-tech-products.com

4428 Technology Drive • Fremont, CA 94538, USA • 510-498-8815 • Fax: 510-440-0579