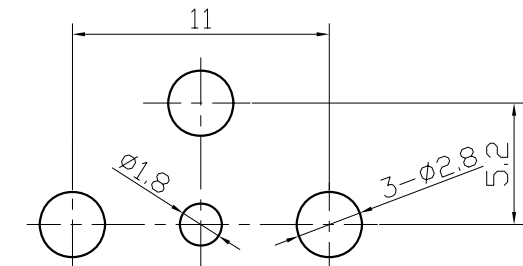
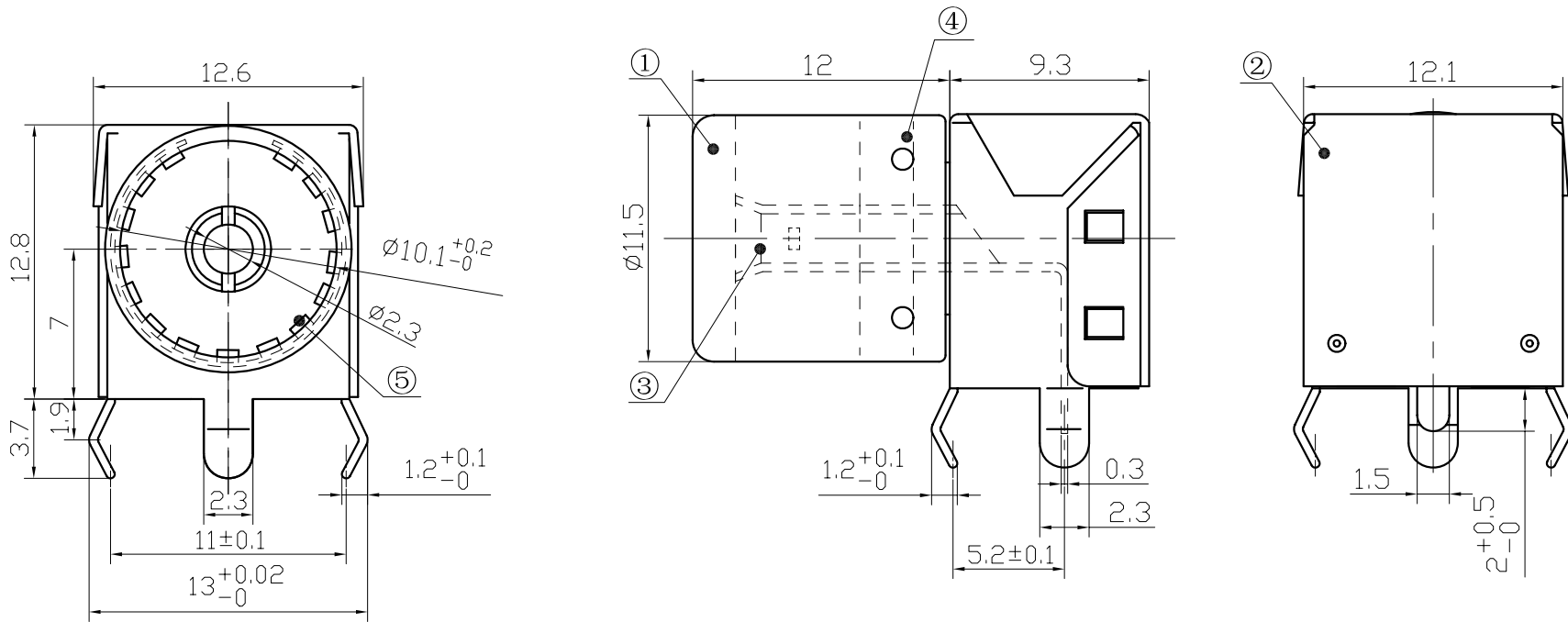
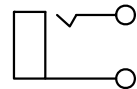


CTP-124J-07A-S



PCB MOUNTING HOLES (tolerance: ± 0.1)
(VIEWED FROM BOTTOM)



CIRCUIT DIAGRAM

Dimensions unless otherwise specified

Size Range	Tolerance
$L \leq 1$	± 0.15
$1 < L \leq 8$	± 0.20
$8 < L \leq 23$	± 0.25
$23 < L \leq 50$	± 0.30
ANGAL	$\pm 3^\circ$

NO.	PART NAME	Q'TY	MATERIAL (THICK, COLOR)	REMARK
5	SPRING CIRCLE	1	QSN6,5-0.1Y T=0,2	CuSn-Plated(Rohs Compliant)
4	INSULATED	1	PC 94HB	Rohs Compliant
3	PIN	1	QSN6,5-0.1Y T=0,3	CuSn-Plated(Rohs Compliant)
2	PLANK	1	H62 Y T=0,4	CuSn-Plated(Rohs Compliant)
1	COPPER	1	H65 M T=0,2	CuSn-Plated(Rohs Compliant)



Phone 1-800-809-2751

Fax 1-510-440-0579

www.connect-tech-products.com • info@connect-tech-products.com

4428 Technology Drive • Fremont, CA 94538, USA • 510-498-8815 • Fax: 510-440-0579