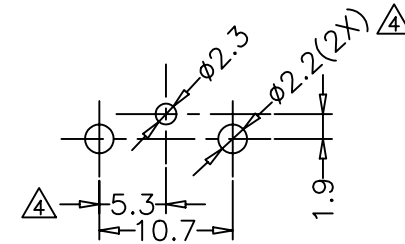
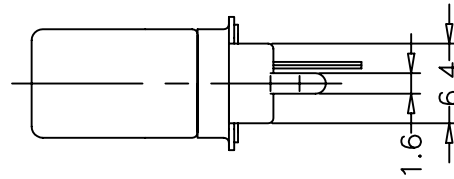
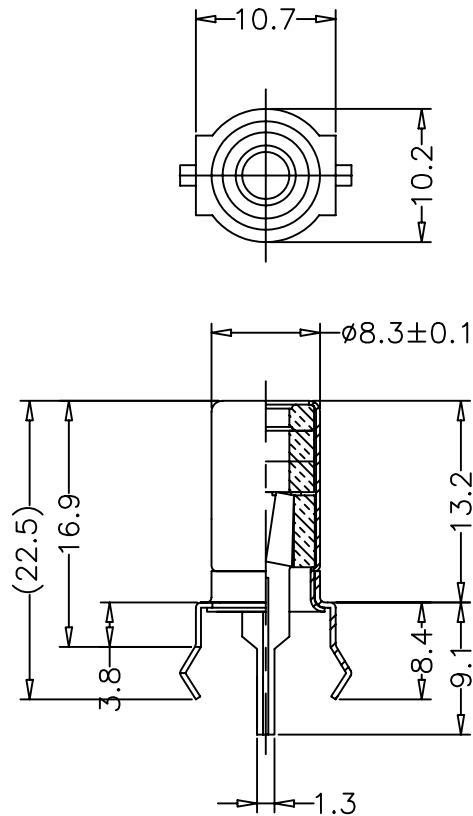


CTP-106A

NOTE : THE APPEARANCE AND CHARACTERISTIC REQUESTED TO SPECIFICATION.



MOUNTING HOLES



COLOR	BLACK	RED	YELLOW	WHITE	GREEN	NAVY BLUE
2 PARTS LIST						
ITEM	PARTS NAME	PARTS NO.	MATERIAL	FINISH		
1	SHIELD CASE	J-001A-06	C.R.STEEL	3 Ni		
2	INSULATOR BUSHING	J-002B-01	PBT	-		
3	CENTER CONTACT	J-008C-01	SPRING BRASS	1 Tin		
4	INSULATOR WASHER	J-003D-16BR	PHENOLIC	-		
5	INSULATOR WASHER	3 J-004D-12B	PHENOLIC	-		
6	INSULATOR WASHER(TOP)	3 J-011D-00X-PBT	PBT	-		
7	BRACKET	J-010A-00	C.R.STEEL	Tin		

Phone 1-800-809-2751



Fax 1-510-440-0579

www.connect-tech-products.com • info@connect-tech-products.com

4428 Technology Drive • Fremont, CA 94538, USA • 510-498-8815 • Fax: 510-440-0579