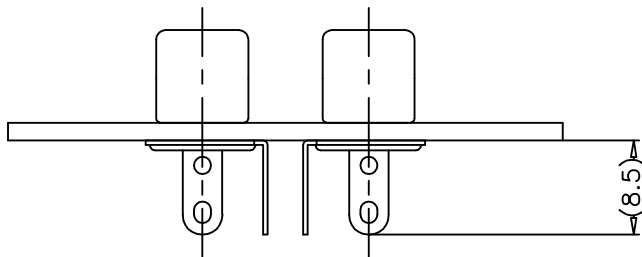
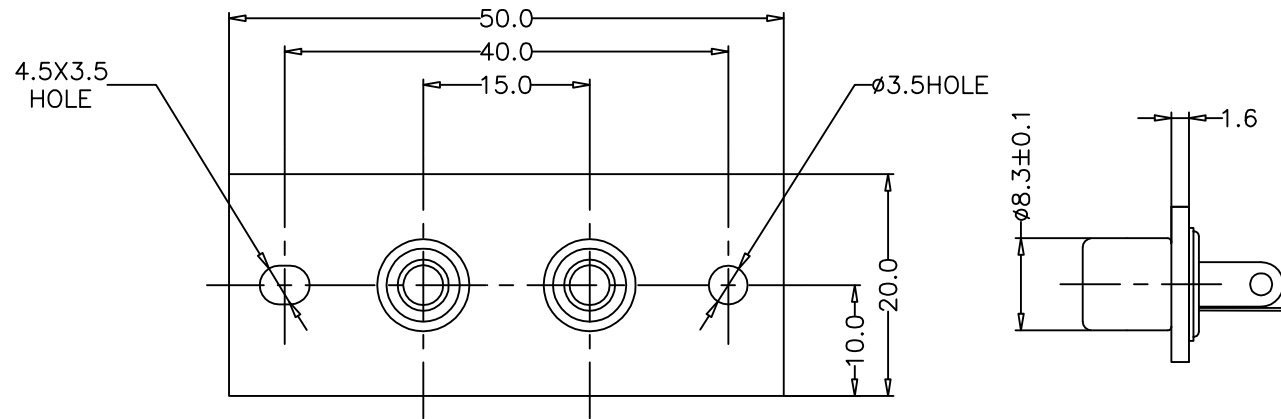


# CTP-104-22-1



\* COMPARABLE WITH

6	TERMINAL	S-001E-00Y	C.R.STEEL	Tin
5	MOUNTING BOARD	S-040A-02	PHENOLIC	-
4	INSULATOR WASHER	J-004D-16B	PHENOLIC	-
3	CENTER CONTACT	J-011C-00X	SPRING BRASS	Tin Lead
2	INSULATOR BUSHING	J-002B-01	PBT	-
1	SHIELD CASE	J-001A-00W	C.R.STEEL	Ni
ITEM	PARTS NAME	PARTS NO.	MATERIAL	FINISH
PARTS LIST				

Phone 1-800-809-2751



Fax 1-510-440-0579

[www.connect-tech-products.com](http://www.connect-tech-products.com) • [info@connect-tech-products.com](mailto:info@connect-tech-products.com)

4428 Technology Drive • Fremont, CA 94538, USA • 510-498-8815 • Fax: 510-440-0579