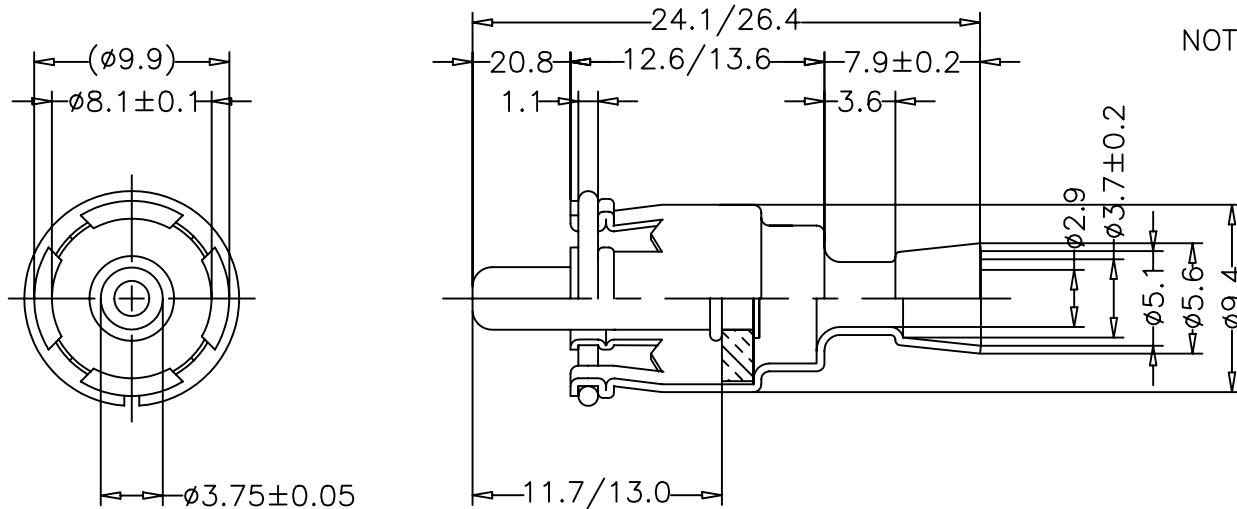


# CTP-023A



NOTE : THE APPEARANCE AND CHARACTERISTIC REQUESTED TO SPECIFICATION.

\* COMPARABLE WITH :

4	SPRING	P-005D-00	MUSIC WIRE	Ni
3	INSULATOR WASHER	P-001C-00	PHENOLIC	-
2	CENTER CONTACT	P-004B-00	BRASS	Tin, Tin-LEAD
1	SHIELD CASE	P-038A-00	C.R.STEEL	Tin, Tin-LEAD
ITEM	PARTS NAME	$\triangle$ PARTS NO.	MATERIAL	FINISH
PARTS LIST				

Phone 1-800-809-2751



Fax 1-510-440-0579

[www.connect-tech-products.com](http://www.connect-tech-products.com) • [info@connect-tech-products.com](mailto:info@connect-tech-products.com)

4428 Technology Drive • Fremont, CA 94538, USA • 510-498-8815 • Fax: 510-440-0579