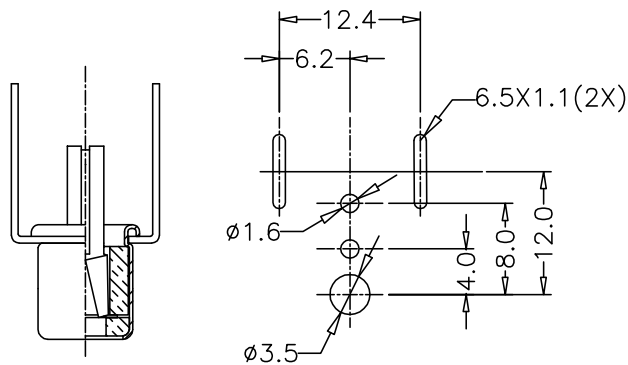
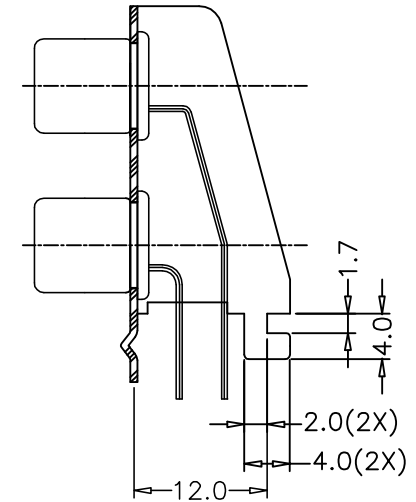
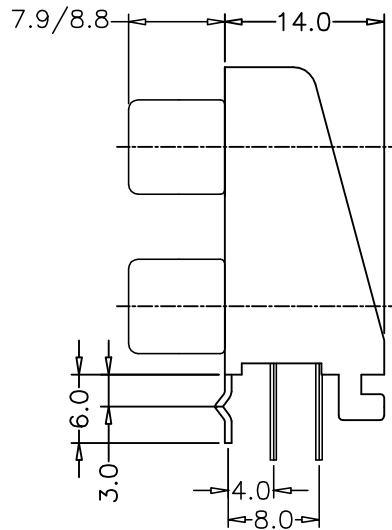
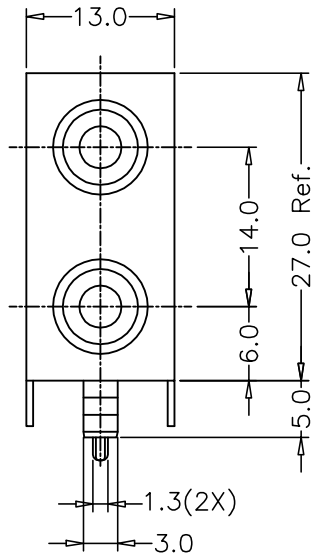


CTP-019-9



MOUNTING HOLES

* COMPARABLE WITH :

PARTS LIST				
ITEM	PARTS NAME	PARTS NO.	MATERIAL	FINISH
1	SHIELD CASE	J-001A-00	C.R.STEEL	Tin
2	INSULATOR BUSHING	J-002B-01	PBT	-
3	CENTER CONTACT	J-008C-00&J-008C-01	SPRING BRASS	Tin Lead
4	INSULATOR WASHER	J-011D-00-PBT	PBT	-
5	BRACKET	J-017A-00	C.R.STEEL	Tin

NOTE : THE APPEARANCE AND CHARACTERISTIC REQUESTED TO SPECIFICATION.



Phone 1-800-809-2751

Fax 1-510-440-0579

www.connect-tech-products.com • info@connect-tech-products.com

4428 Technology Drive • Fremont, CA 94538, USA • 510-498-8815 • Fax: 510-440-0579