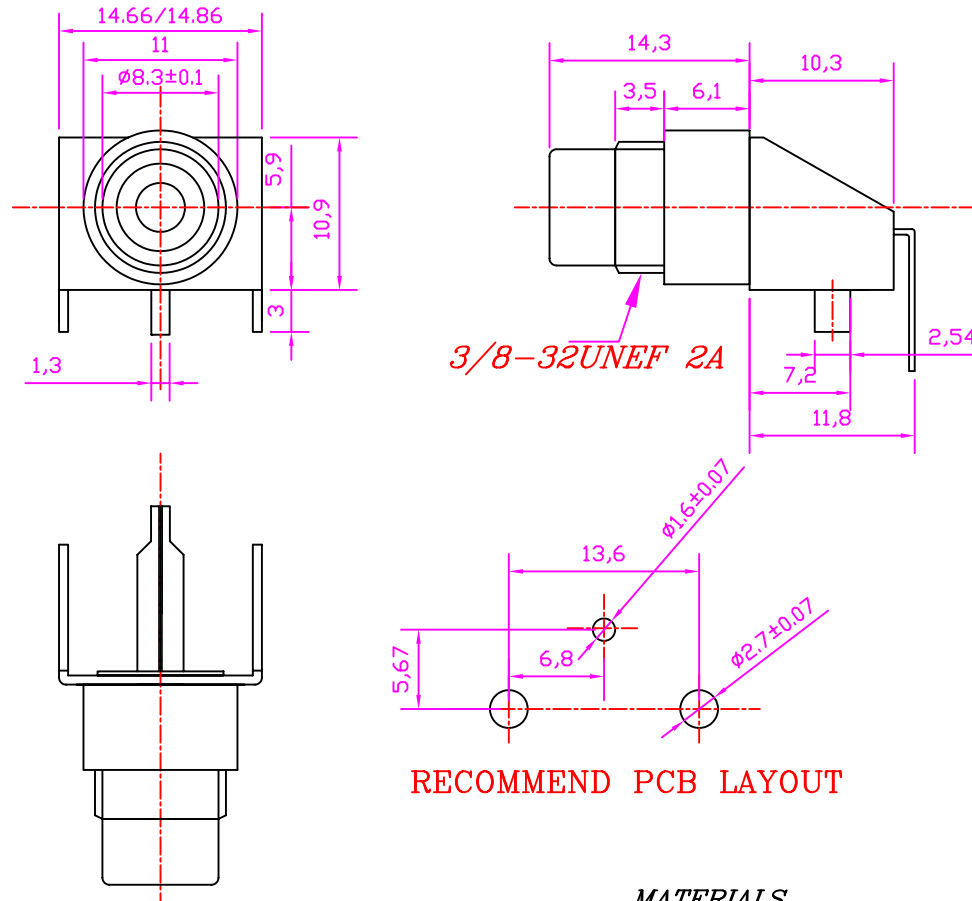


CTP-016G



MODEL NO.	CTP-016G-B	CTP-016G-R	CTP-016G-Y	CTP-016G-W
COLOR	BLACK	RED	YELLOW	WHITE

MATERIALS

1. SHELL CASE : BRASS, GOLD PLATED
2. INSULATOR BUSHING : PBT (R, W, Y), NYLON(B)
3. CENTER CONTACT : SPRING BRASS, GOLD
4. INSULATOR WASHER : PBT
5. BRACKET : C.R. STEEL, GOLD



Phone 1-800-809-2751

Fax 1-510-440-0579

www.connect-tech-products.com • info@connect-tech-products.com

4428 Technology Drive • Fremont, CA 94538, USA • 510-498-8815 • Fax: 510-440-0579