

# Water-Tight and Dust-Resistant Enclosures

Medium heat-resistance polymer  $\leq 75^{\circ}\text{C}$

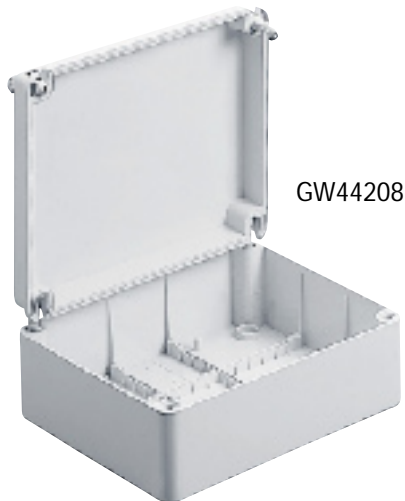
44CE range - Junction boxes with stepped glands and press-on lid - IP44

Part No.	Internal Dimension (mm)	Approval Marks	Entries No.	Gland Mounting Hole $\varnothing$ mm	Conduit $\varnothing$ Maximum	List Price \$ Each
GW44001	$\varnothing 65 \times 35$	C.S. OVE	4	23	20	1.84
GW44002	$\varnothing 80 \times 40$	C.S. OVE	4	23	20	2.25
GW44003	$80 \times 80 \times 40$	C.S. OVE	6	23	20	2.77



44CE range - Moulded enclosures with stepped glands and screw-on lids - IP46

Part No.	External Dimension H X W X D	Approval Marks	Entries No.	Gland Mounting Hole $\varnothing$ mm	Conduit $\varnothing$ Maximum	List Price \$ Each
GW44004	$4 \times 4 \times 2$	C.S. OVE	6	29	25	5.32
GW44005	$4 \frac{3}{4} \times 3 \frac{1}{4} \times 2$	C.S. OVE	6	29	25	5.96
GW44006	$6 \times 4 \frac{3}{8} \times 2 \frac{7}{8}$	C.S. OVE	10	29	25	8.85
GW44007	$7 \frac{5}{8} \times 5 \frac{5}{8} \times 2 \frac{7}{8}$	C.S. OVE	10	37.5	32	16.53
GW44008	$9 \frac{1}{2} \times 7 \frac{5}{8} \times 3 \frac{5}{8}$	C.S. OVE	12	37.5	32	26.66
GW44009	$11 \frac{7}{8} \times 8 \frac{3}{4} \times 4 \frac{7}{8}$	C.S. OVE	12	48	40	47.86
GW44010	$15 \times 12 \times 4 \frac{7}{8}$	C.S. OVE	12	48	40	64.92
GW44011	$18 \frac{1}{4} \times 15 \times 4 \frac{7}{8}$	C.S. OVE	14	48	40	91.71



GW44208

GW44218



GW44428



GW44438



WATER TIGHT AND DUST RESISTANT AUGUST 1996 IEC.



Phone 1-800-809-2751

Fax 1-510-440-0579

www.connect-tech-products.com • info@connect-tech-products.com

4428 Technology Drive • Fremont, CA 94538, USA • 510-498-8815 • Fax: 510-440-0579