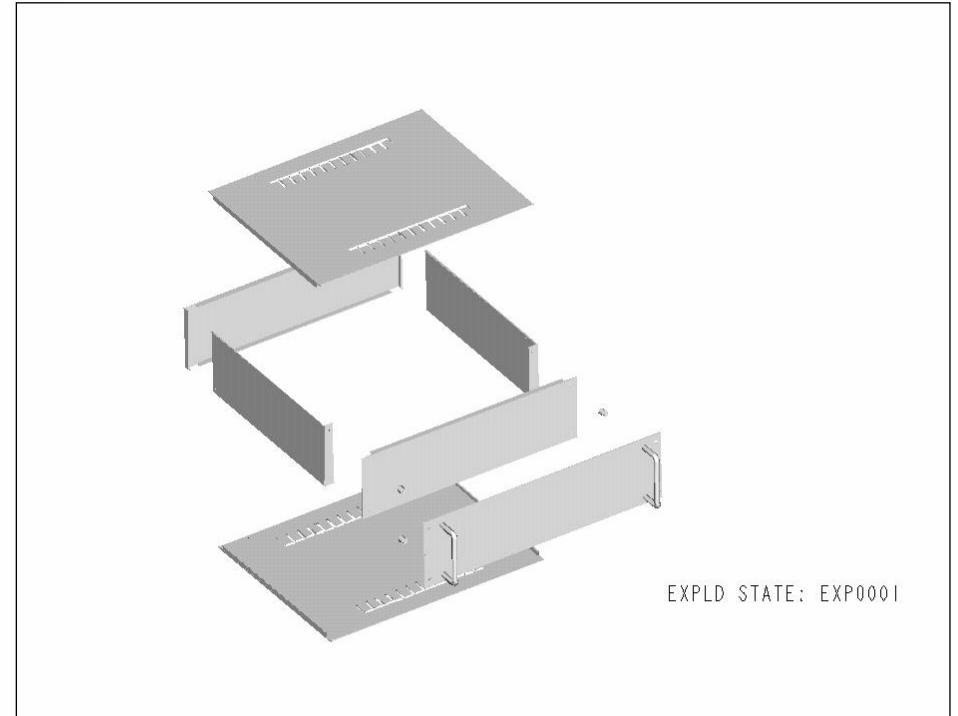
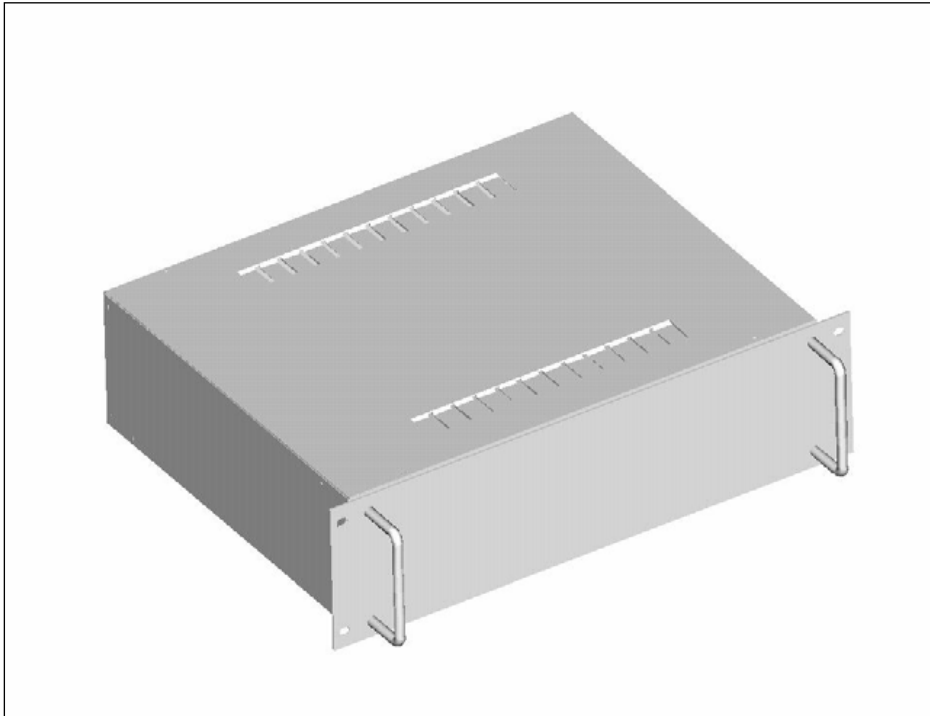


19" Rack Mounted Enclosures



Phone 1-800-809-2751



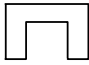
Fax 1-510-440-0579

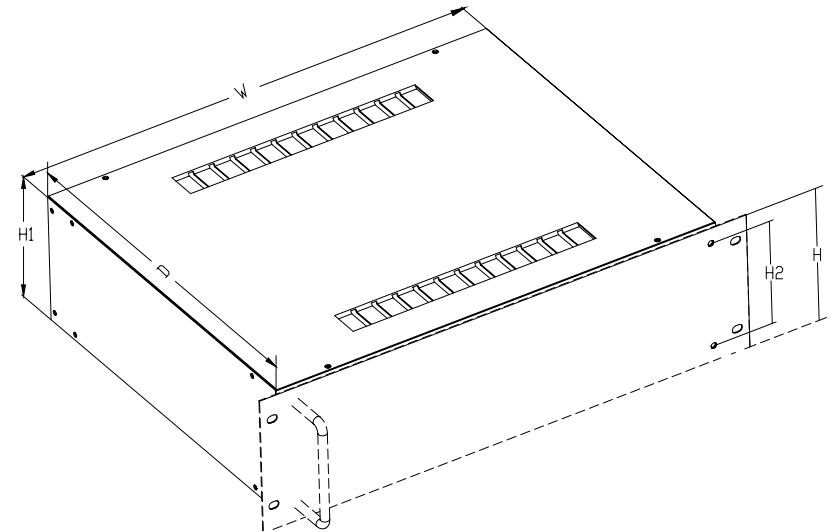
www.connect-tech-products.com • info@connect-tech-products.com

4428 Technology Drive • Fremont, CA 94538, USA • 510-498-8815 • Fax: 510-440-0579

19" Rack Mounted Enclosures

SPECIFICATIONS

TYPE	TYPE	W	D	H	H1	H2	
(B)	(S)	(in.)	(in.)	(in.)	(in.)	(in.)	
ET1/25B	ET1/25S	17.17	9.84	1U=1.75	1.45	1.04	
ET1/30B	ET1/30S	17.17	11.81	1U=1.75	1.45	1.04	
ET1/35B	ET1/35S	17.17	13.78	1U=1.75	1.45	1.04	
ET1/50B	ET1-50S	17.17	20.00	1U=1.75	1.45	1.04	
ET2/25B	ET2/25S	17.17	9.84	2U=3.50	3.20	2.28	HA-2
ET2/30B	ET2/30S	17.17	11.81	2U=3.50	3.20	2.28	HA-2
ET2/35B	ET2/35S	17.17	13.78	2U=3.50	3.20	2.28	HA-2
ET2/50B	ET2/50S	17.17	20.00	2U=3.50	3.20	2.28	HA-2
ET3/25B	ET3/25S	17.17	9.84	3U=5.25	4.96	4.04	HA-3
ET3/30B	ET3/30S	17.17	11.81	3U=5.25	4.96	4.04	HA-3
ET3/35B	ET3/35S	17.17	13.78	3U=5.25	4.96	4.04	HA-3
ET3/50B	ET3/50S	17.17	20.00	3U=5.25	4.96	4.04	HA-3
ET4/25B	ET4/25S	17.17	9.84	4U=7.00	6.57	5.65	HA-4
ET4/30B	ET4/30S	17.17	11.81	4U=7.00	6.57	5.65	HA-4
ET4/35B	ET4/35S	17.17	13.78	4U=7.00	6.57	5.65	HA-4
ET4/50B	ET4/50S	17.17	20.00	4U=7.00	6.57	5.65	HA-4
ET5/25B	ET5/25S	17.17	9.84	5U=8.75	8.30	7.36	HA-5
ET5/30B	ET5/30S	17.17	11.81	5U=8.75	8.30	7.36	HA-5
ET5/35B	ET5/35S	17.17	13.78	5U=8.75	8.30	7.36	HA-5
ET5/50B	ET5/50S	17.17	20.00	5U=8.75	8.30	7.36	HA-5



Phone 1-800-809-2751



Fax 1-510-440-0579

www.connect-tech-products.com • info@connect-tech-products.com

4428 Technology Drive • Fremont, CA 94538, USA • 510-498-8815 • Fax: 510-440-0579

19" Rack Mounted Enclosures

FRONT PANELS

Type	W	H	Color
	(in.)	(in.)	
FB1U	19	1.75	Black
FS1U	19	1.75	Silver
FB2U	19	3.50	Black
FS2U	19	3.50	Silver
FB3U	19	5.25	Black
FS3U	19	5.25	Silver
FB4U	19	7.00	Black
FS4U	19	7.00	Silver
FB5U	19	8.75	Black
FS5U	19	8.75	Silver



Phone 1-800-809-2751



Fax 1-510-440-0579

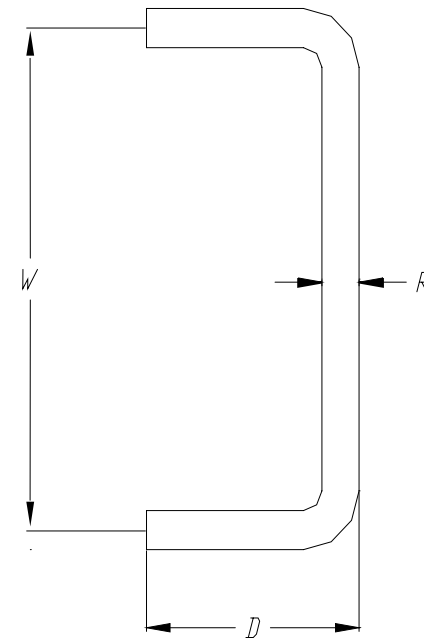
www.connect-tech-products.com • info@connect-tech-products.com

4428 Technology Drive • Fremont, CA 94538, USA • 510-498-8815 • Fax: 510-440-0579

19" Rack Mounted Enclosures

HANDLES

Type	W	D	R(ϕ)	Color
	(in.)	(in.)	(in.)	
HA-2B	2.28	1.65	0.31	Black
HA-2S	2.28	1.65	0.31	Silver
HA-3B	4.04	1.65	0.31	Black
HA-3S	4.04	1.65	0.31	Silver
HA-4B	5.65	1.81	0.39	Black
HA-4S	5.65	1.81	0.39	Silver
HA-5B	7.36	1.81	0.39	Black
HA-5S	7.36	1.81	0.39	Silver



Phone 1-800-809-2751



Fax 1-510-440-0579

www.connect-tech-products.com • info@connect-tech-products.com

4428 Technology Drive • Fremont, CA 94538, USA • 510-498-8815 • Fax: 510-440-0579