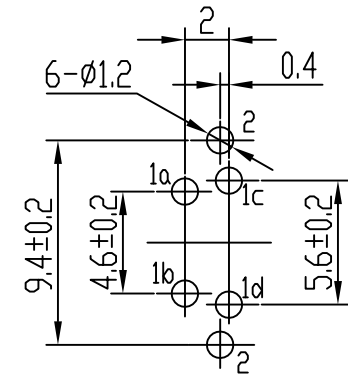
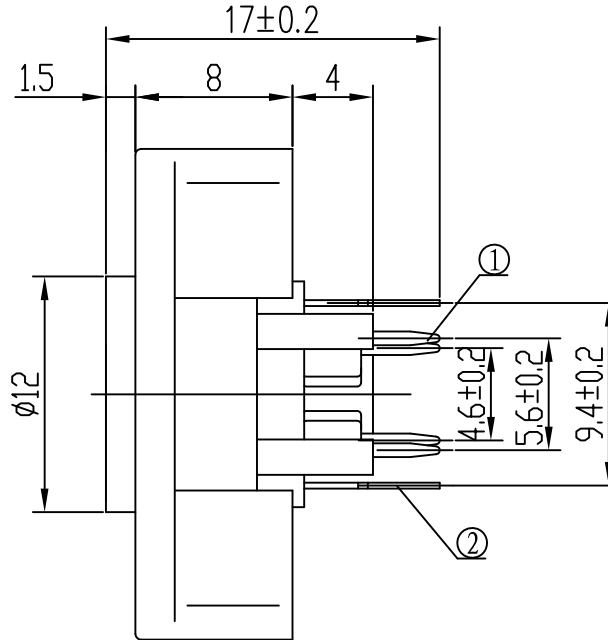
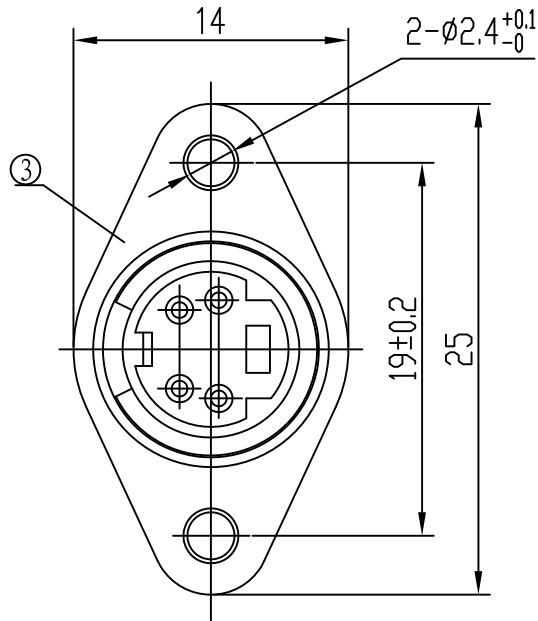
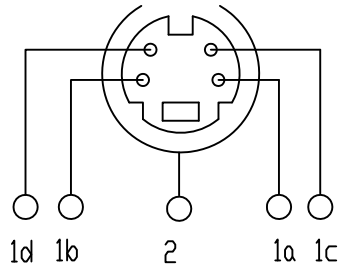


MDx-T2

x= # of position



P.C.B LAYOUT (TOP VIEW)



CIRCUIT DIAGRAM

RoHS COMPLIANT
EU Directive 2002/95/EC

NO.	PART NAME	Q'TY	MATERIAL (THICK, COLOR)	REMARK
3	BODY	1	PBT G10 94V-0 (BLACK)	CuSn-PLATED
2	EARTH TERMINAL	1	H62Y t=0.3	
1	1# TERMINAL	4	QSn6.5-0.1Y t=0.4	

Dimensions unless otherwise specified	
Size Range	Tolerance
$L \leq 1$	± 0.15
$1 < L \leq 8$	± 0.25
$8 < L \leq 23$	± 0.30
$23 < L \leq 50$	± 0.35
ANGAL	$\pm 3^\circ$



Phone 1-800-809-2751

Fax 1-510-440-0579

www.connect-tech-products.com • info@connect-tech-products.com

4428 Technology Drive • Fremont, CA 94538, USA • 510-498-8815 • Fax: 510-440-0579