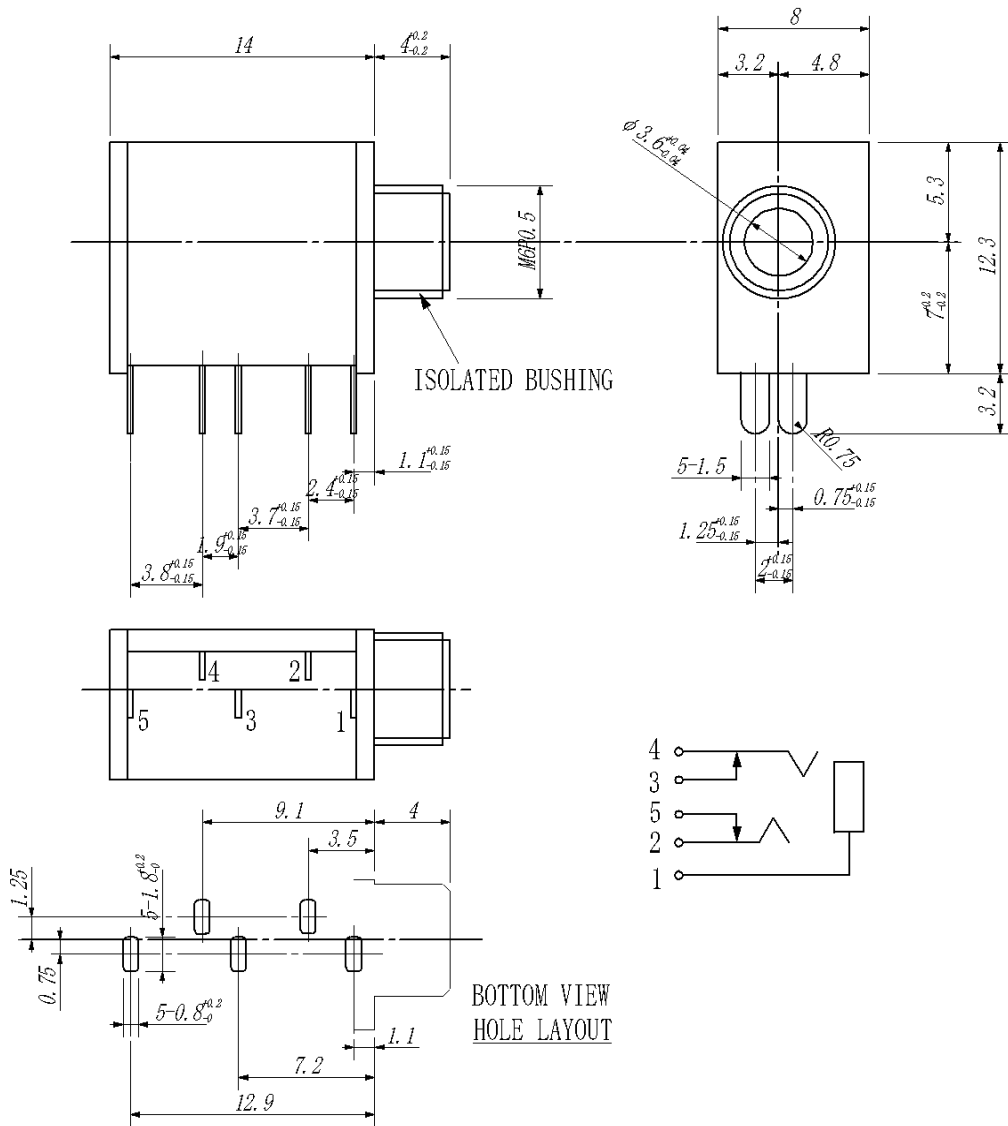


J-354W-SG



PART NAME	QTY	MATERIAL	PLATING	REMARKS
BODY	1	P. B. T. +G15%		BLACK (UL94V-0)
COVER	1	P. C.		
MAIN TERMINAL A	1	PBR-1/2H 0.3t	Ag	(TIP CONTACT)
MAIN TERMINAL B	1	PBR-1/2H 0.25t	Ag	(RING CONTACT)
FIX TERMINAL A	1	BsR2-H 0.3t	Ag	
FIX TERMINAL B	1	BsR2-H 0.3t	Ag	
EARTH TERMINAL	1	BsR2-H 0.3t	Ag	(SLEEVE CONTACT)
SPRING A	1	SUS-304		HEAT TREATMENT
SPRING B	1	SUS-304		HEAT TREATMENT
METAL (EYELET TYPE)	1	BsR-1/2H 0.3t	Ni-3	



Phone 1-800-809-2751

Fax 1-510-440-0579

www.connect-tech-products.com • info@connect-tech-products.com

4428 Technology Drive • Fremont, CA 94538, USA • 510-498-8815 • Fax: 510-440-0579