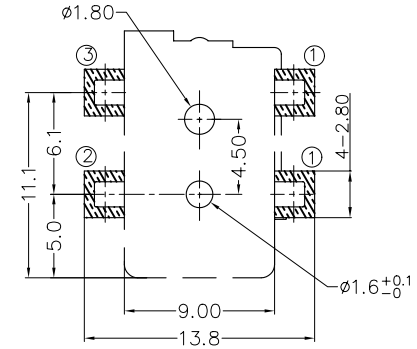
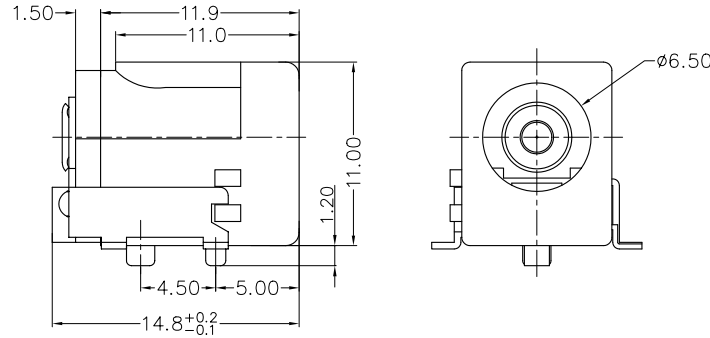
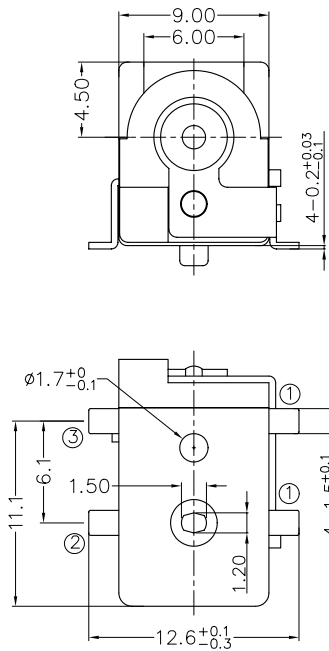


DCP-8062-20

DCP-8062-25



P.C.B LAYOUT
(BOTTOM VIEW)

PIN	Ø2.0mm	Ø2.5mm
SCHEMATIC		
MODEL NO	DCP-8062	

RoHS COMPLIANT
EU Directive 2002/95/EC

TEM	NAME	MATERIAL	FINISH	SUM
6	Housing	PA66	Black	1
5	Cover	PA66	Black	1
4	Center Pin	Copper	Nickel Plated	1
3	Shunt Terminal	Brass	Silver Plated	1
2	Tip Terminal	Copper Alloy	Silver Plated	1
1	Ground Terminal	Brass	Silver Plated	1



Phone 1-800-809-2751

Fax 1-510-440-0579

www.connect-tech-products.com • info@connect-tech-products.com

4428 Technology Drive • Fremont, CA 94538, USA • 510-498-8815 • Fax: 510-440-0579