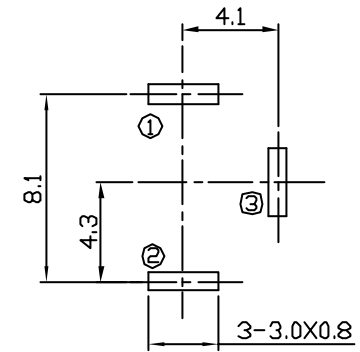
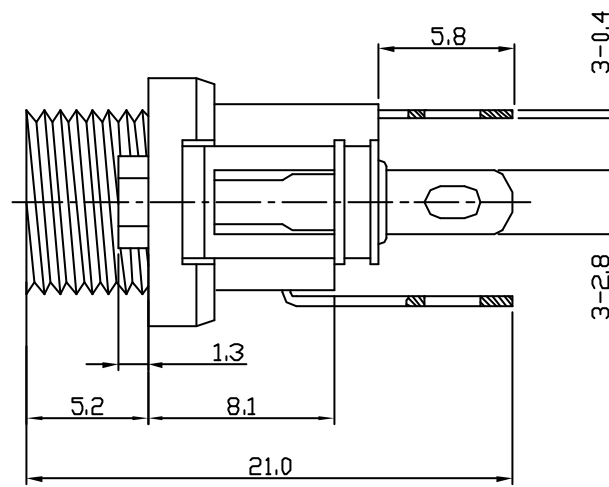
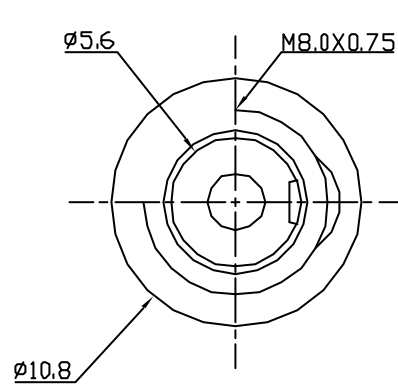


DCP-2626-20 DCP-2626-23 DCP-2626-25 DCP-2626-30



P.C.B LAYOUT
(BOTTOM VIEW)

PIN	$\phi 2.0$	$\phi 2.35$	$\phi 2.5$	$\phi 3.0$
SCHEMATIC				

7	CONTACT	BRASS STRIP	AG PLATED OVER NI PLATED	1
6	PLUG PIN	BRASS	NI PLATED	1
5	SOCKET	BRASS	NI PLATED	1
4	CASE	POM	BLACK	1
3	WASHER	HARD PAPER	RED	2
2	SPRINC TERMINAL	RBS STRIP	AG PLATED OVER NI PLATED	1
1	TERMINAL	BRASS STRIP	AG PLATED OVER NI PLATED	1
TFM	NAMF	MATERIAL	FINISH	SUM



Phone 1-800-809-2751

Fax 1-510-440-0579

www.connect-tech-products.com • info@connect-tech-products.com

4428 Technology Drive • Fremont, CA 94538, USA • 510-498-8815 • Fax: 510-440-0579