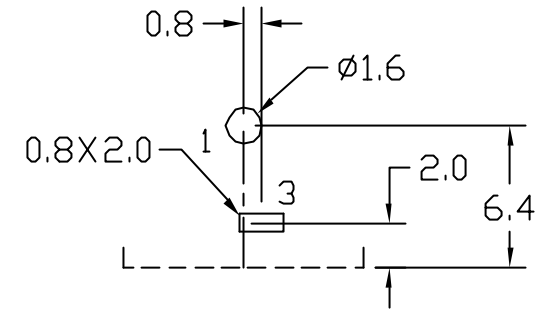
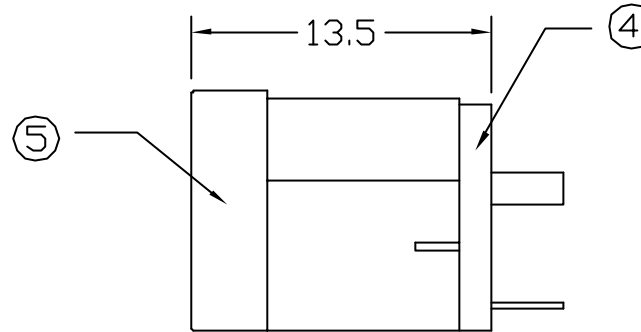
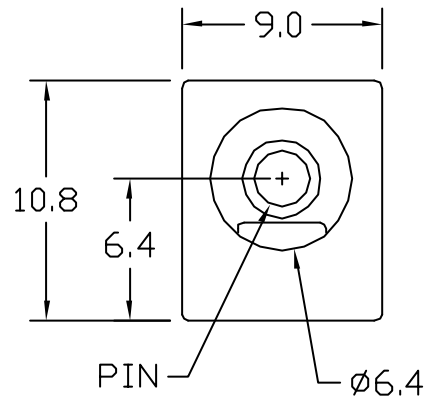


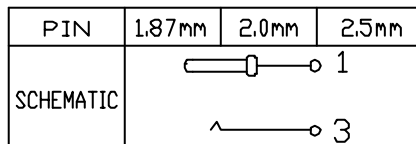
DCP-223-187

DCP-223-20

DCP-223-25



PCB LAYOUT
<BOTTOM VIEW>



ITEM	NAME	MATERIAL	FINISH	SUM
5	Housing	PBT (Rated UL 94V-0)		1
4	Cover	Phenolic Resin		1
3	Terminal No 3	Phosphor Bronze	Tin Plated	1
1	Center Pin	Brass	Nickel Plated	1

Phone 1-800-809-2751



Fax 1-510-440-0579

www.connect-tech-products.com • info@connect-tech-products.com

4428 Technology Drive • Fremont, CA 94538, USA • 510-498-8815 • Fax: 510-440-0579