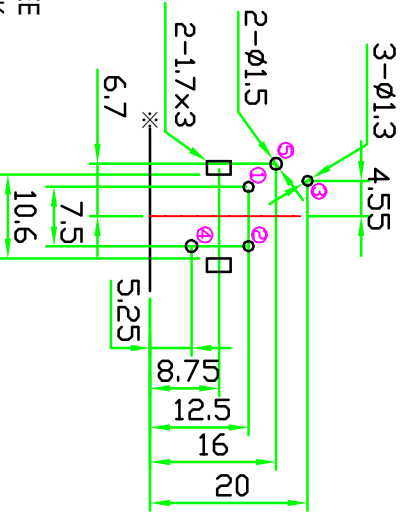
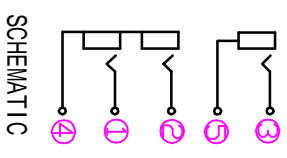
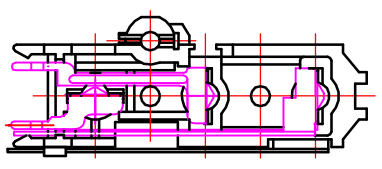
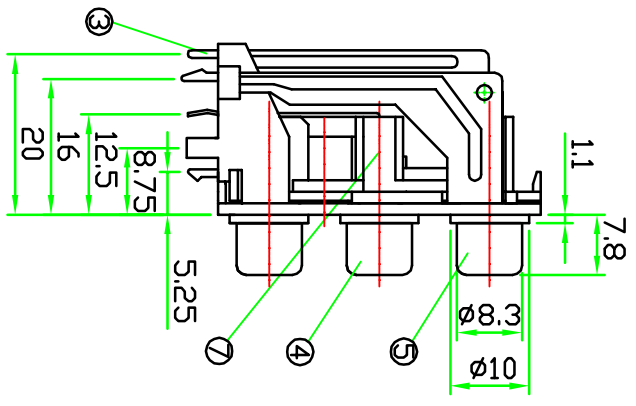
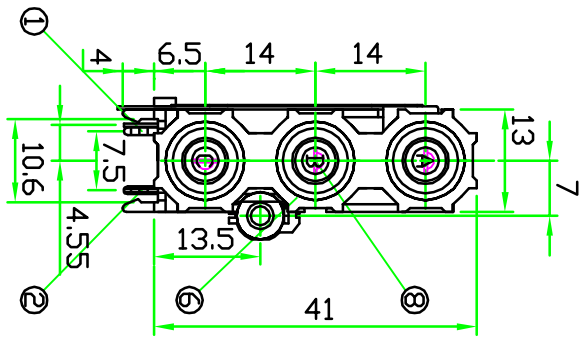
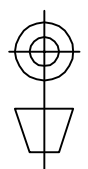


REVISIONS			DATE	APPROVED
ZONE	REV	DESCRIPTION		



- R : RED
 W : WHITE
 Y : YELLOW
 G : GREY
 GR : GREEN
 CO : COFFEE
 B : BLACK
 BL : BLUE
 BR : BROWN
 O : ORANGE

NOTE: TOLERANCE ± 0.3mm



FIRST ANGLE PROJECTION
 UNLESS OTHERWISE SPECIFIED
 DIMENSIONS ARE IN : MM
 TOLERANCE ARE
 LINEAR: ± 0.1
 ANGULAR: ± 2°

NO	PART NAME	QTY	MATERIAL (THICK)	REMARK
8	WASHER	3	ABS	
7	HOUSING	1	ABS	
6	COVER	1	BLACK	
5	OUTER CONTACT	1	H62M L=0.4	CUSP-PLATED
4	OUTER CONTACT	1	H62M L=0.4	CUSP-PLATED
3	L- TERMINAL	1	H62Y L=0.5	CUSP-PLATED
2	M- TERMINAL	1	H62Y L=0.4	CUSP-PLATED
1	S- TERMINAL	1	H62Y L=0.4	CUSP-PLATED

DRAWN		DATE		TITLE	
CHECKED				CONNECT -TECH PRODUCTS CORP.	
DESIGN ENGR.				CTP3-313	
DESIGN ENGR.				SIZE FSCM NO	
TANUF ENGR.				DWG NO	
QUALITY ENGR.				A-313	
SCALE		4/3		SHEET OF	
				REV.	