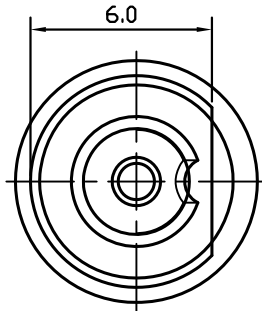
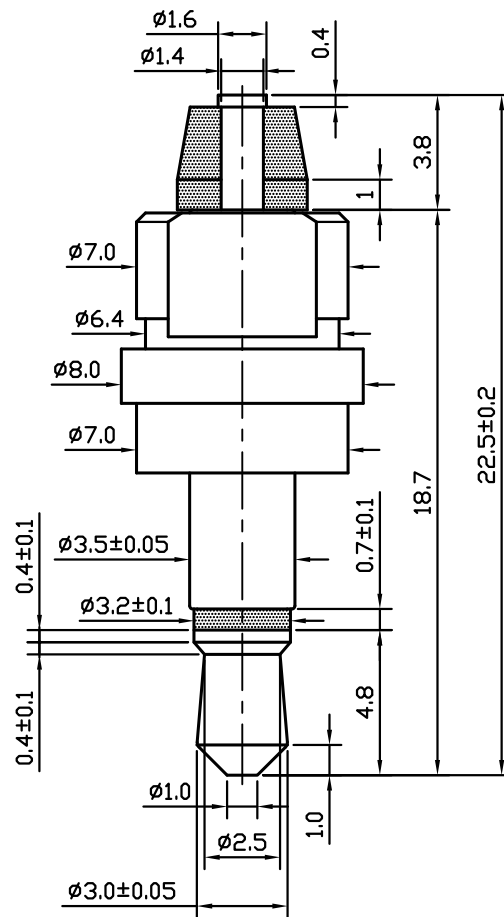
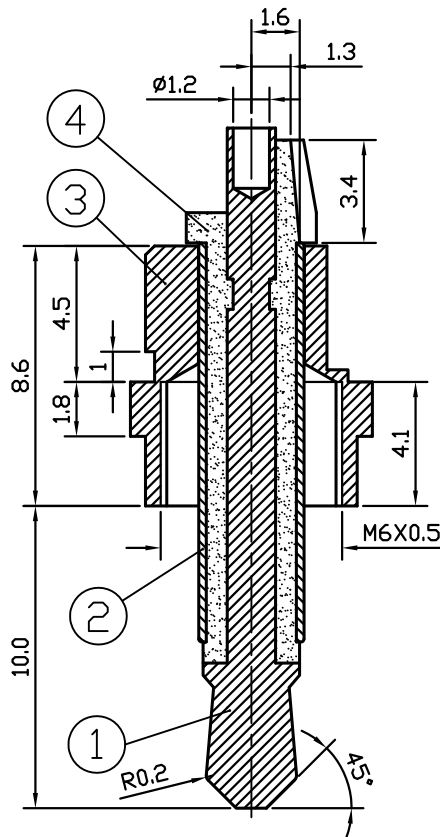


CTP-P-352-L



DIMENSIONS RANGE	TOLERANCE UNLESS SPECIFIED
0.5<X<1	±0.1
1<X<6	±0.15
6<X<18	±0.2
18<X<50	±0.3



4		DIELECTRIC	ABS	
3	118-010	SLEEVE	BRASS	1
2	113-224	SLEEVE	BRASS	1
1	113-022	PIN	BRASS	1
ITEM	DRAWING NUMBER	PART NAME	MATERIAL	Q.TY

Follow RoHS Standard

1. Dielectric strength: AC 500V/1 minute.

2. Insulation resistance: 100MΩ or over. (DC 500V)

3. Contact resistance: 30mΩ or less.



Phone 1-800-809-2751

Fax 1-510-440-0579

www.connect-tech-products.com • info@connect-tech-products.com

4428 Technology Drive • Fremont, CA 94538, USA • 510-498-8815 • Fax: 510-440-0579