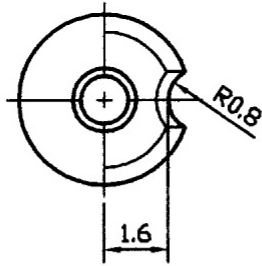
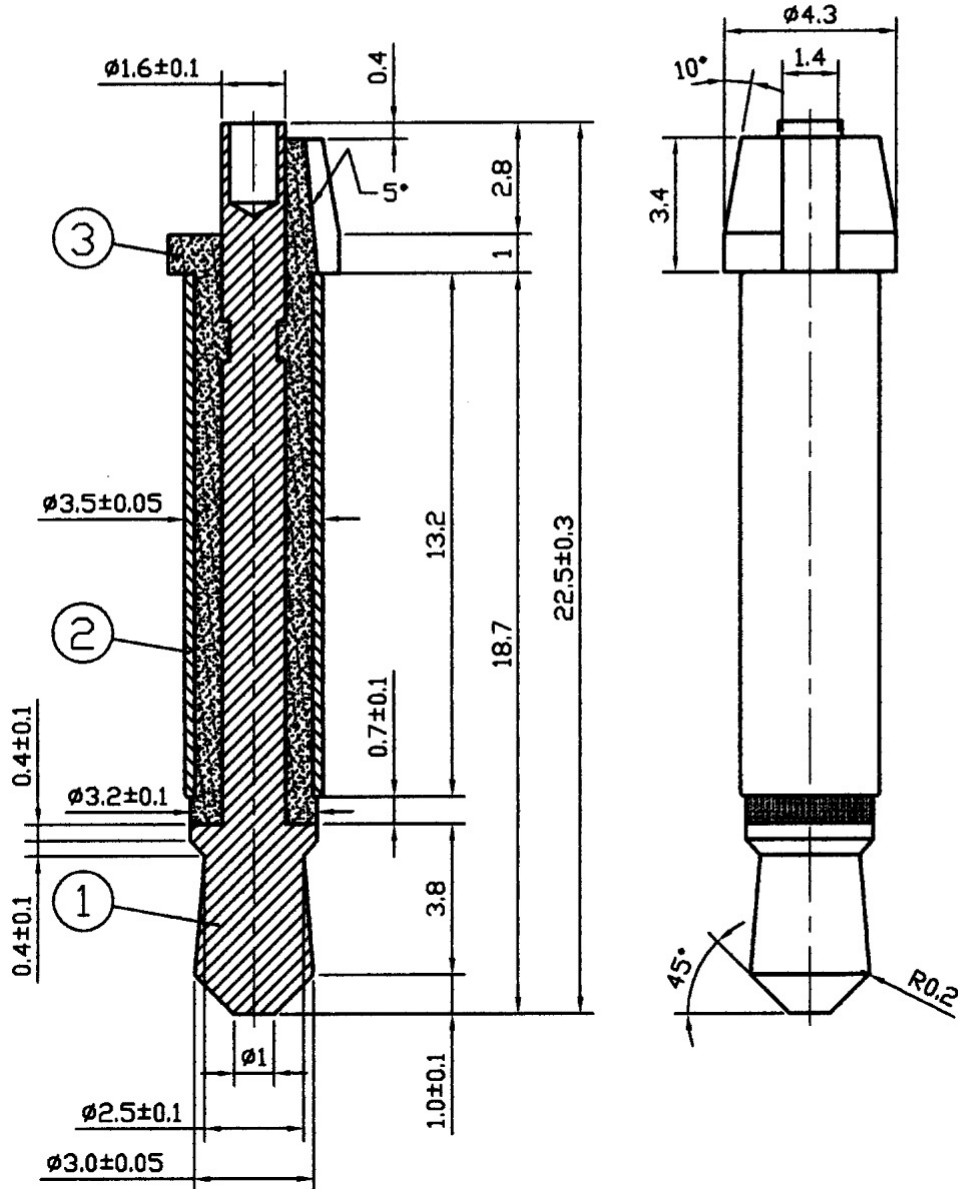


CTP-P-352-621



| | | | | | |
|------|----------------|------------|------------------------|--------|------|
| 3 | | DIELECTRIC | POM | | |
| 2 | 163-014 | SLEEVE | BRASS | | 1 |
| 1 | 113-022 | PIN | BRASS | | 1 |
| ITEM | DRAWING NUMBER | PART NAME | MATERIAL | PLATED | Q'TY |
| UNIT | mm | SCALE: 5/1 | 3.5MM MONO PLUG, 22.5L | | |



Phone 1-800-809-2751

Fax 1-510-440-0579

www.connect-tech-products.com • info@connect-tech-products.com

4428 Technology Drive • Fremont, CA 94538, USA • 510-498-8815 • Fax: 510-440-0579