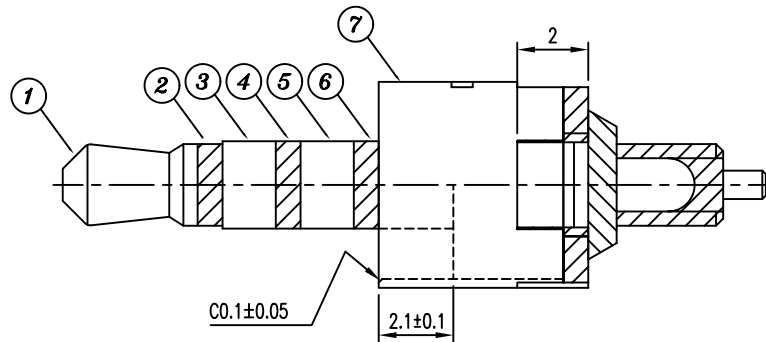
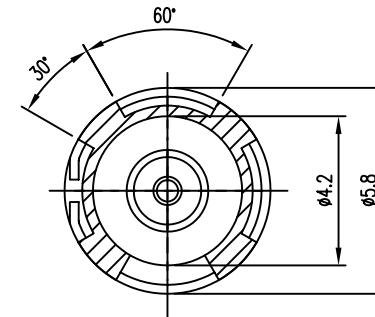
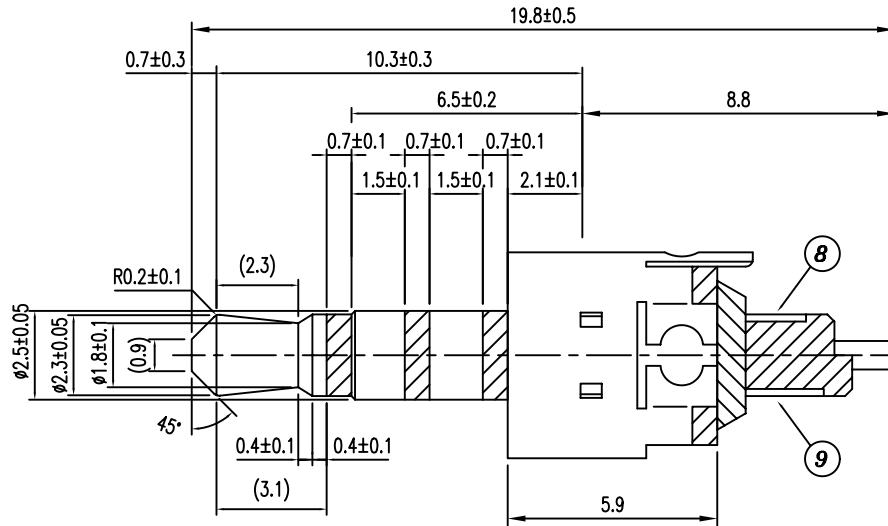


# CTP-P-2505-7



| PART NO. | MATERIAL  | PLATING |
|----------|-----------|---------|
| 1.       | BRASS     | NICKEL  |
| 2.       | POM BLACK |         |
| 3.       | BRASS     | NICKEL  |
| 4.       | POM BLACK |         |
| 5.       | BRASS     | NICKEL  |
| 6.       | POM BLACK |         |
| 7.       | P-BRONZE  | NICKEL  |
| 8.       | BRASS 2極  | NICKEL  |
| 9.       | BRASS 3極  | GOLD    |



Phone 1-800-809-2751

Fax 1-510-440-0579

www.connect-tech-products.com • info@connect-tech-products.com

4428 Technology Drive • Fremont, CA 94538, USA • 510-498-8815 • Fax: 510-440-0579