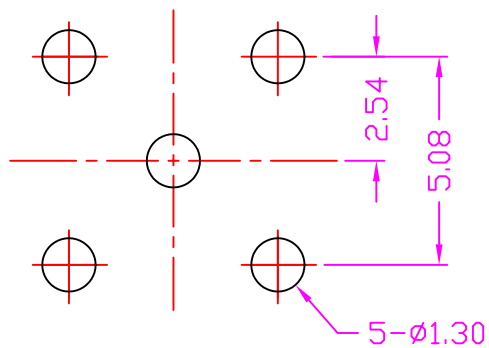
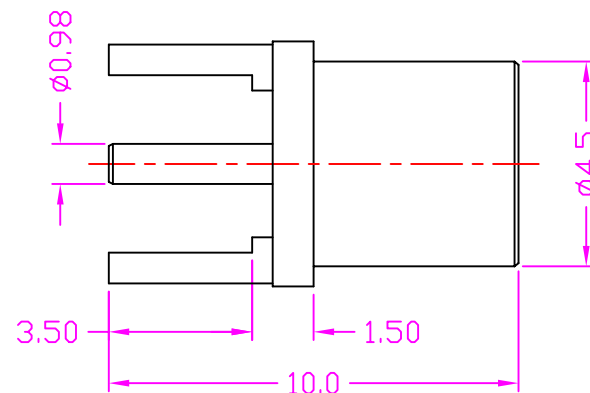
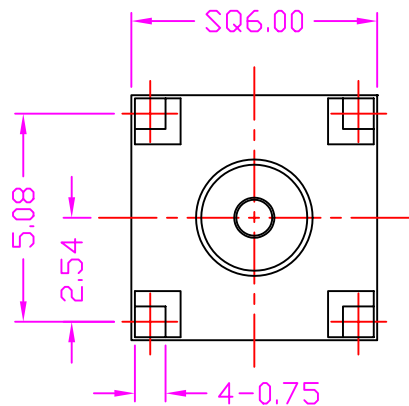


# CTP-MCX-9151-019



RECOMMEND P.C.B. LAYOUT  
TOP VIEW

## MATERIALS

1. INSULATOR : TEFLON UL94V-0, WHITE
2. BODY : BRASS, GOLD PLATED
3. CONTACT : BERYLLIUM COPPER

## OTHER INFORMATION

1. CONTACT RESISTANCE : 5.0m OHMS MAX.
2. DIELECTRIC WITHSTANDING VOLTAGE :  
1000V AC RMS FOR 1 MINUTE
3. INSULATION RESISTANCE :  
1000M OHMS MIN. AT 500V DC
4. OPERATING TEMPERATURE : -55°C ~ +85°C

Phone 1-800-809-2751



Fax 1-510-440-0579

www.connect-tech-products.com • info@connect-tech-products.com

4428 Technology Drive • Fremont, CA 94538, USA • 510-498-8815 • Fax: 510-440-0579