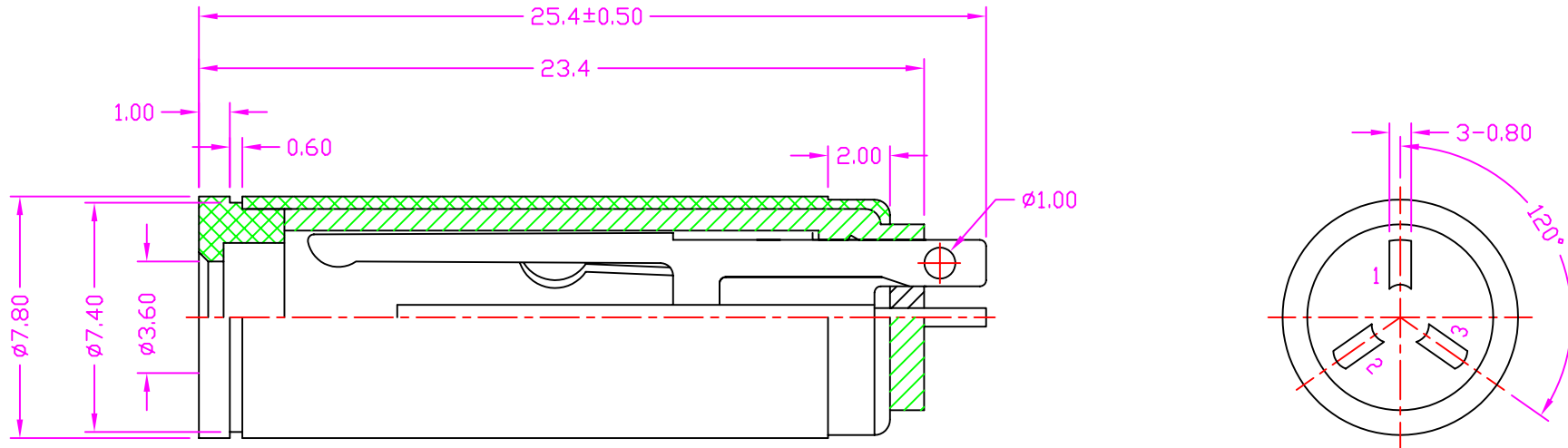


# CTP-J-S353



: POM UL94V-0, BLACK

3. CONTACT : PHOSPHOR BRONZE, #1 & #2 NICKEL PLATED  
#3 GOLD PLATED

## MATERIALS

1. INSULATOR
2. BODY : BRASS, NICKEL PLATED

└ FEMALE



Phone 1-800-809-2751

Fax 1-510-440-0579

[www.connect-tech-products.com](http://www.connect-tech-products.com) • [info@connect-tech-products.com](mailto:info@connect-tech-products.com)

4428 Technology Drive • Fremont, CA 94538, USA • 510-498-8815 • Fax: 510-440-0579