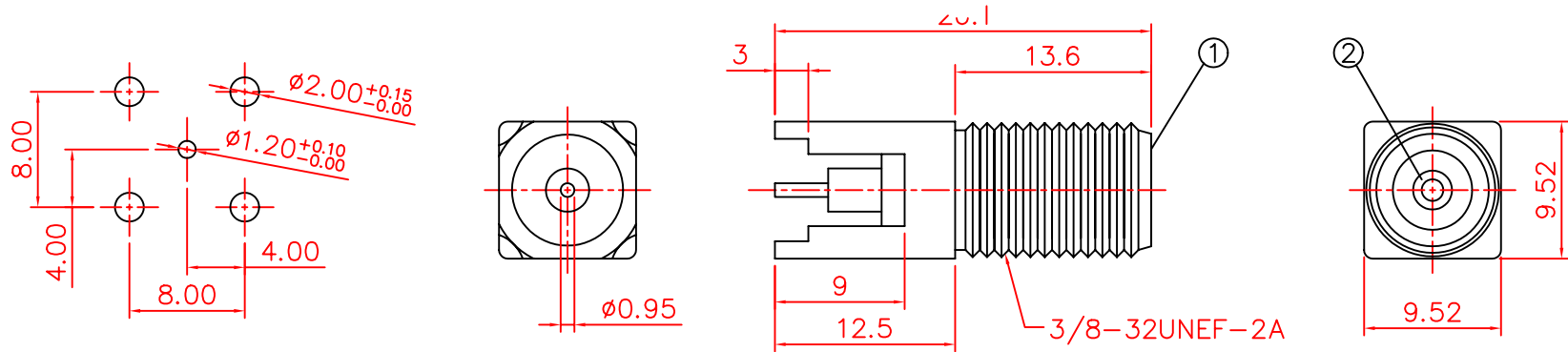


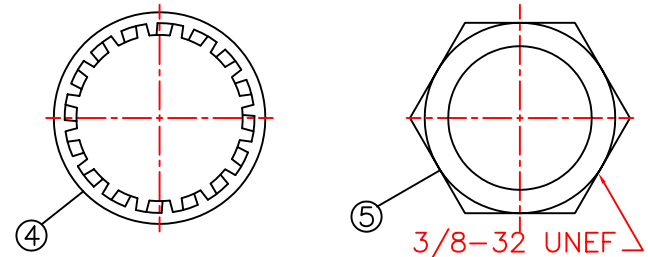
CTP-FV-4011



RECOMMENDED PC BOARD LAYOUT
WITHOUT MOUNTING POSTS

MATERIAL & FINISH

- ① BODY : ZINC ALLOY, TIN PLATING
- ② INSULATOR : PBT
- ③ CENTER CONTACT : BRONZE, TIN PLATING
- ④ WASHER : STEEL, NICKEL PLATING
- ⑤ NUT : BRASS, NICKEL PLATING



Phone 1-800-809-2751



Fax 1-510-440-0579

www.connect-tech-products.com • info@connect-tech-products.com

4428 Technology Drive • Fremont, CA 94538, USA • 510-498-8815 • Fax: 510-440-0579