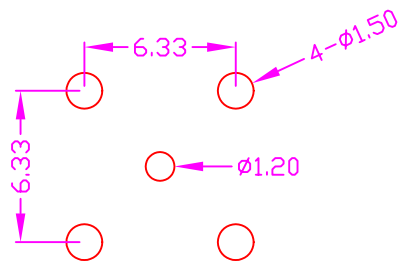
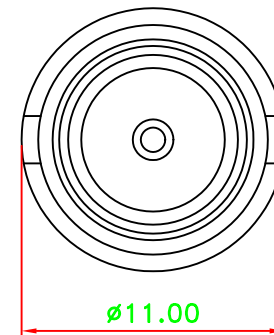
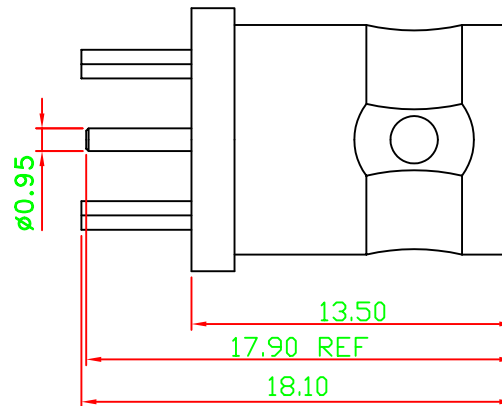
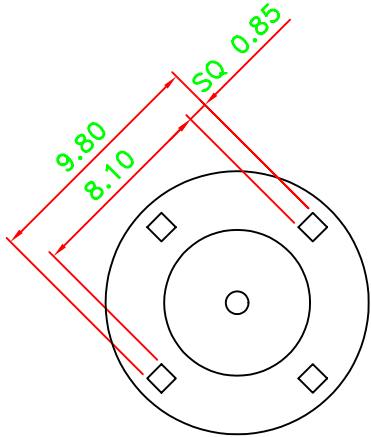


# CTP-BV-051

# CTP-7BV-051



RECOMMEND PCB LAYOUT  
TOP VIEW

## MATERIALS

1. INSULATOR : TEFLON UL94V-0, WHITE
2. BODY : BRASS, NICKEL PLATED
3. CONTACT : BRASS, GOLD PLATED

## OTHER INFORMATION

1. CONTACT RESISTANCE : 3.0m OHMS MAX.
2. DIELECTRIC WITHSTANDING VOLTAGE :  
500V AC RMS FOR 1 MINUTE
3. INSULATION RESISTANCE :  
5000M OHMS MIN. AT 500V DC
4. OPERATING TEMPERATURE :  $-40^{\circ}\text{C} \sim +85^{\circ}\text{C}$



Phone 1-800-809-2751

Fax 1-510-440-0579

[www.connect-tech-products.com](http://www.connect-tech-products.com) • [info@connect-tech-products.com](mailto:info@connect-tech-products.com)

4428 Technology Drive • Fremont, CA 94538, USA • 510-498-8815 • Fax: 510-440-0579